

SA771P SA771PU(-AB/AW)



SMARTMOUNT. Articulating Wall Arm for 50"-80" Displays

From any angle, this wall arm mount reflects remarkable form and function. Extending the display up to 27.55" (700mm) from the wall and allowing for a full 180° of side-to-side motion for viewing in any part of the room. Fine-tuning of the installation is simple with its side-to-side display leveling and 1" (25.4mm) of vertical adjustment features that help achieve installation perfection. This articulating arm also provides display centering on the wall plate and integrates a desirable cable management system, centering the display on the wall when retracted and organizing and protecting the cables at all times. Designed and built in the USA, this mount maintains the same brilliant look as the entire SmartMount® 700 Series line of Articulating and Pivot Wall Arm Mounts.



Display size: 50"-80"



Max load: 200lb (91kg)

FEATURES

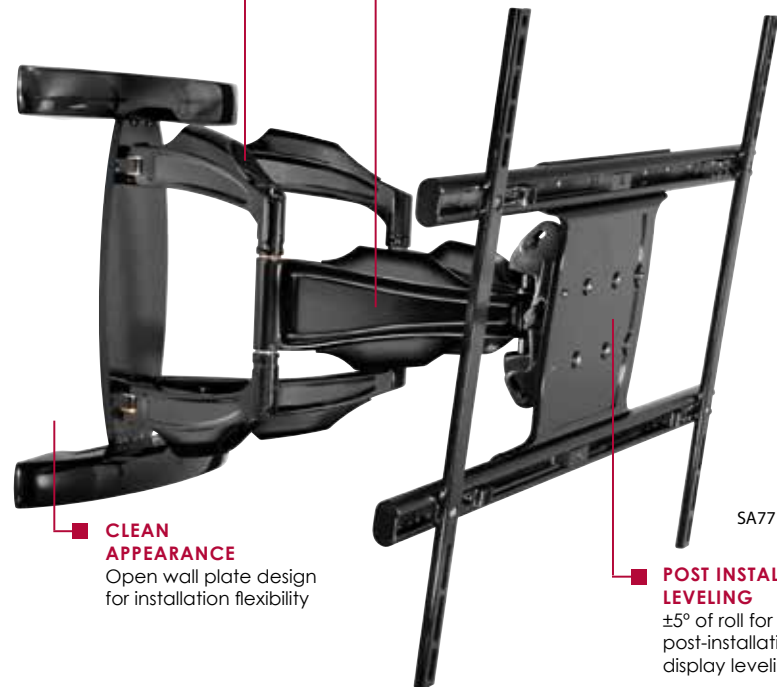
- Universal model SA771PU provides compatibility for 50" to 80" displays with mounting patterns up to 827 x 439mm (32.56" x 17.29")
- Dedicated model SA771P requires display adaptor to be purchased separately
- Display can be held as close to the wall as 4.43" (113mm) or be extended as far as 27.55" (700mm)
- Integrated cable management contains, protects and conceals cables for a clean, clutter-free look
- One-Touch™ tilt allows for +15°/-5° without the use of tools for easy viewing angle adjustment
- Multi-link construction allows for a full 180° range of motion
- ±5° of roll allows for post installation leveling
- Display can be rotated from landscape to portrait without removing the display for easy orientation changes
- 1" (25.4mm) vertical adjustment for display position fine tuning
- Minimalistic wall plate footprint for increased wall access and improved aesthetics
- Horizontal display adjustment up to 4.5" (114mm) for perfect display placement
- Agion® antimicrobial* finish assists in controlling the spread of infections with SA771PU-AB/AW models

CLEAN APPLICATION

Built in cable management system keeps cables organized and protected

VIEWING FLEXIBILITY

Arm extends up to 27.55" (700mm) from wall



SA771PU Shown

CLEAN APPEARANCE

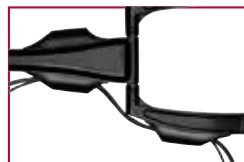
Open wall plate design for installation flexibility

POST INSTALLATION LEVELING

±5° of roll for simple post-installation display leveling



Arm retracts to just 4.43" (113mm) and extends up to 27.55" (700mm) from wall



1" (25.4mm) clearance per channel for clean and simple cable management



1" (25.4mm) of vertical adjustment for post-installation fine tuning



SA771P dedicated model requires additional adaptor plate for mounting display



SA771PU-AB/AW:



Patented. Design Patent No. D623,177; D631,876; D627,767; D635,966; D623,635; D623,634. Utility Patent No. 8,028,964.

* Antimicrobial protection is limited to the treated article and does not protect a user against disease causing bacteria. Always clean products thoroughly after each use. Visit agion-tech.com for more details.

CLICK: peerless-av.com

CALL: 800.865.2112

FAX: 800.359.6500

peerless-AV

Model Numbers

WARRANTY: Limited 5-year

SA771PU(-AB/AW)	SmartMount® Universal Articulating Wall Arm for 50" to 80" Displays
SA771P	SmartMount® Dedicated Articulating Wall Arm for 50" to 80" Displays

Product Specifications

	DIMENSIONS (W x H x D)	PRODUCT WEIGHT	LOAD CAPACITY	FINISH	AVAILABLE COLORS
SA771PU(-AB/AW)	34.38" x 20.23" x 4.43"-27.55" (873 x 514 x 113-700mm)	63lb (28.6kg)	200lb (91kg)	Scratch resistant fused epoxy	SA771P/PU Black
SA771P	19.20" x 20.23" x 2.83"-25.83" (488 x 514 x 72-656mm)	36lb (16.3kg)			SA771PU-AB Antimicrobial* black

* Antimicrobial protection is limited to the treated article and does not protect a user against disease causing bacteria. Always clean products thoroughly after each use. Visit www.agion-tech.com for more details.

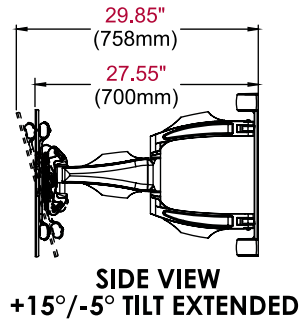
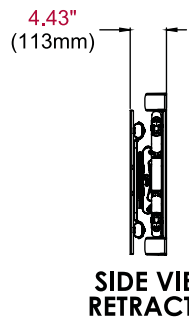
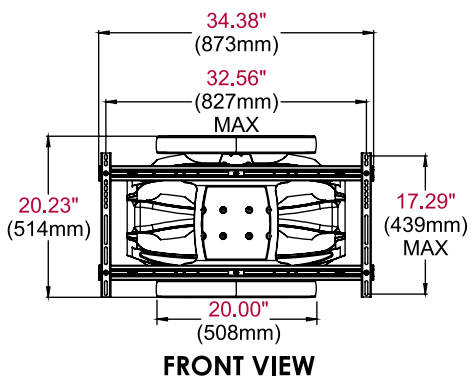
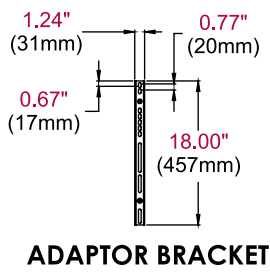
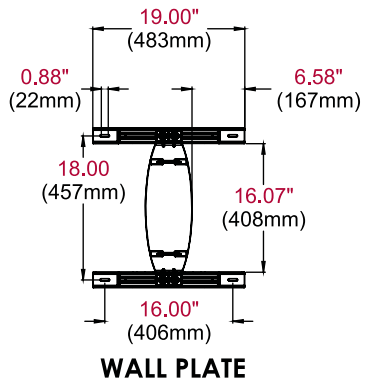
Package Specifications

	PACKAGE SIZE (W x H x D)	PACKAGE SHIP WEIGHT	PACKAGE UPC CODE	PACKAGE CONTENTS	UNITS IN PACKAGE
SA771PU(-AB/AW)	35.75" x 21.25" x 6.125" (908 x 540 x 156mm)	72lb (33kg)	SA771PU: 735029266624	Mount, wall and display attachment hardware, installation instructions, large display adaptors (universal model only)	1
SA771P		43lb (20kg)	SA771PU-AB: 735029283768 SA771PU-AW: 735029283775 SA771P: 735029270256		

Accessories

- ACC925:** Security Fastener Pack
- WSP756:** Metal Stud Wall Plate Accessory

All dimensions = inch (mm)



ARCHITECTS SPECIFICATIONS

The SmartMount® Articulating Wall Arm shall be a Peerless-AV model SA771PU(-AB/AW)/SA771P and shall be located where indicated on the plans. It shall feature scratch resistant black or silver fused epoxy finish. Assembly and installation shall be done according to instructions provided by the manufacturer.

Peerless Industries, Inc. ■ 2300 White Oak Circle ■ Aurora, IL 60502 ■ (800) 865-2112 ■ (630) 375-5100 ■ Fax: (800) 359-6500 ■ peerless-av.com

Visit peerless-av.com to see the complete line of AV solutions from Peerless-AV, including flat panel mounts, projector mounts, carts/stands, furniture, cables, display cleaners and a full assortment of accessories.