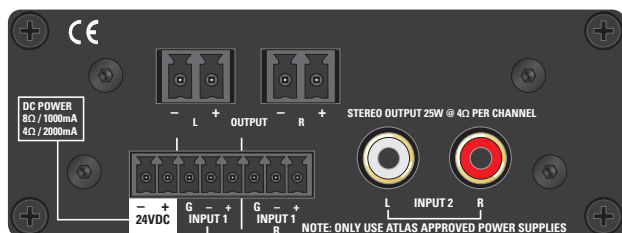
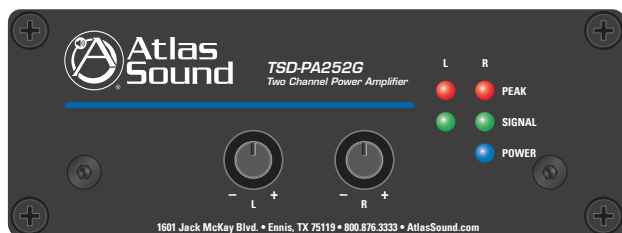




TSD-PA252G

Two Channel Power Amplifier



TSD-PA252G

Atlas Time Saving Devices

New Atlas Sound Time Saving Devices are designed to solve some of the common audio system problems in the easiest and in the most efficient and cost-effective way. Utilizing the highest quality components and inspired by real world installation issues, the Atlas Sound TSDs include mixers, amplifiers, preamps, and other distribution and control devices to simplify your connections, provide specific application needs, and add flexibility in expansion and changes that prevent expensive system overhauls.

The Time Saving Devices are loaded with features making it versatile and user friendly. The TSD design mandate was to make the installation quick and reliable, saving you valuable time and money. Each model is housed in a compact 1.5" x 3.9" x 2.75" footprint that allows for placement almost anywhere. Common features include removable individual I/O connectors for quick and precise wiring, separate ground terminals for all I/Os assuring secured connections, and removable level controls that can be replaced with a tamper-resistant security cover.

Description

The Atlas Sound TSD-PA252G is a reliable, cost-effective stereo amplifier perfectly suited for almost any general amplification requirement. The unit is especially suited for adding sound reinforcement to small projector systems as it provides ample power to drive up to four 8Ω loudspeakers in a classroom or boardroom application.

The TSD-PA252G features a balanced stereo phoenix style connector and unbalanced RCA input options with an output of 25W per channel at 4Ω. Front panel gain controls provide adjustment for both left/right or bridged outputs and these removable knobs can easily be replaced with the included tamper-resistant security covers.

The TSD-PA252G is highly efficient and meets most energy standards as one 24V DC power supply (available separately) can power multiple Atlas Time Saving Devices.

Installation

- Courtrooms
- Public Forums
- Churches
- Restaurants
- Schools
- Industrial Facilities
- House of Worship

Features

- 25W per Channel into 4Ω
- 12W per Channel into 8Ω
- Two (2) Balanced Inputs
- Dual RCA Inputs
- Removable Level Controls with Set-It-And-Forget-It Security Covers
- Peak Indicator per Channel
- Input Signal Indicator per Channel
- Cable Management System
- Multiple Mounting Configurations
- Separate Ground Connections
- Removable Phoenix Style I/O Connectors
- Meets Most Energy Standards
- Compact Chassis Design

Audio Applications

- Projector Amplifier
- Zone Amplifier
- Rear Channel Amplifier

©2012 Atlas Sound L.P. All rights reserved. Atlas Sound is a trademark of Atlas Sound L.P. All other trademarks are the property of their respective owners. AT5004063 RevC 1/12

Specifications

Description	Two Channel Amplifier
Load Rating	8Ω - 12W x 2 CH, 4Ω - 25W x 2 CH
Chassis Color	Black
Chassis Material	Aluminum
Inputs	
Type	Qty 2, Unbalanced
Connection	RCA Left & Right
Impedance	10KΩ
Input Level	316mV (-10dBV)
Type	Qty2, Balanced Line
Connection	Removable 3 Position Captive Screw 3.5mm Spacing
Impedance	10KΩ Balanced, 5KΩ Unbalanced
Line Input Level	500mV (-6dBV) Balanced

Outputs

Type	Qty 2, Speaker Output
Connection	Removable 2 Position Captive Screw 5mm Spacing
Wire Size	14 Gauge Max

Controls

Level Control	Qty 2, Removable Knobs with Security Covers
---------------	---

Indicators

Input Signal	Green, 25mV On Threshold, Qty 2
Peak	Red, -3dB Before Clip, Qty 2
Power	Blue

Electrical

Frequency Response	20Hz - 20kHz (±3dB)
THD	0.2% & 1kHz
Signal to Noise	80dBV

Mounting

Velcro	Industrial-Grade, Included
Brackets	Qty 2, Included
TSD-RMK	Optional 1 RU Rack Mount Panel (Supports 4 TSD Units)
Cable Retainer	Qty 2, Included

Power Requirements

**Note: All Current and Watt data is based on AC power consumption using the TSD-PS24V2500mA Power Supply
Average Power is Based On 50% Duty Cycle**

	8Ω	4Ω
Voltage	24VDC 1000mA	24VDC 2000mA
Idle Current	70mA	70mA
Idle VA Watts	4.3W	4.3W
Average Current	160mA	300mA
Average VA Watts	18W	36W
Max Current	490mA	950mA
Max VA Watts	36W	72W

Dimensions H 1.5" (39mm) x W 4" (101mm) x D 5.2" (132mm)

Weight 13.4oz, .3kg

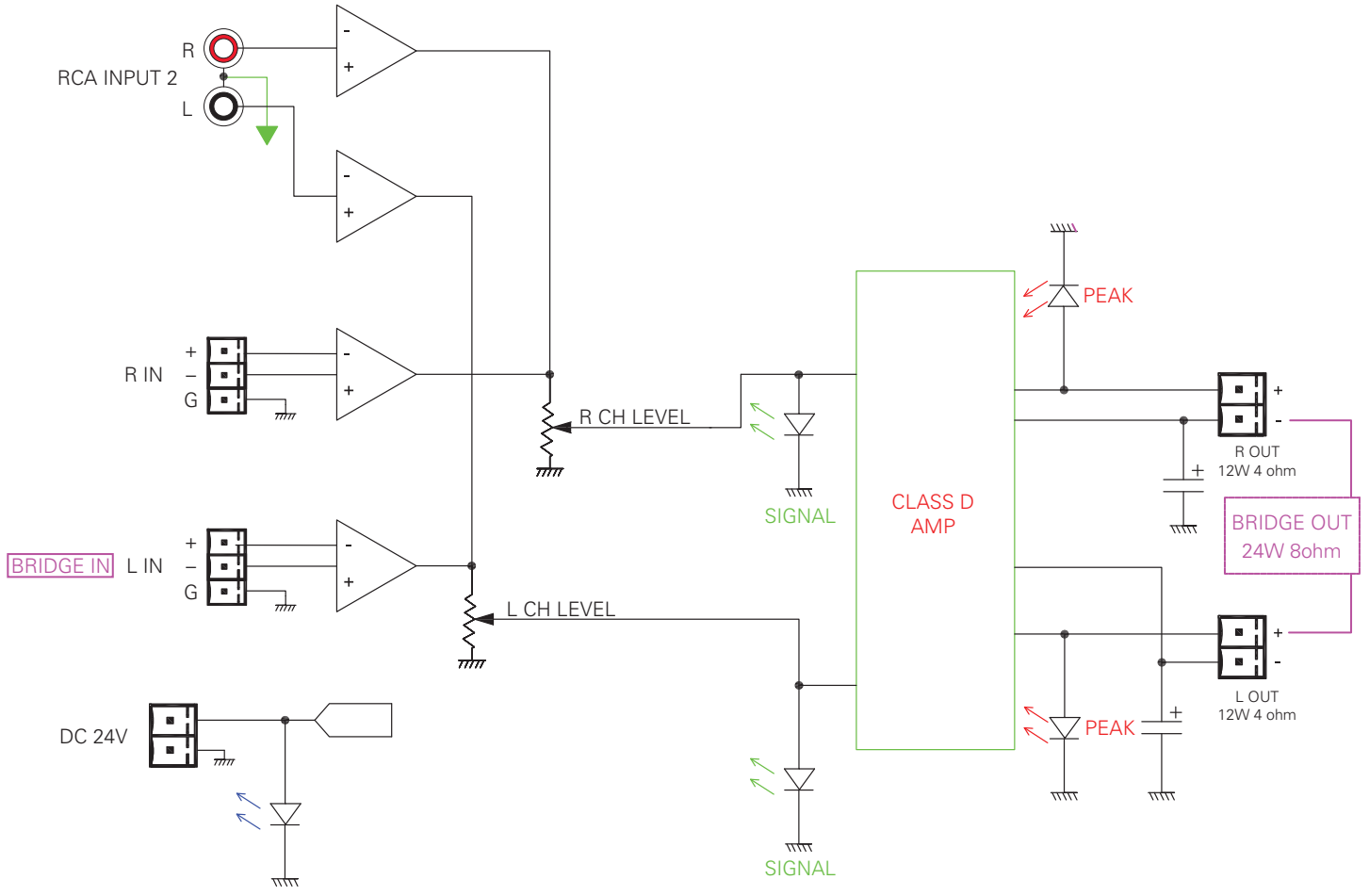
Accessories

TSD 24VDC Power Supplies
TSD-RMK 1 RU Rack Panel

Safety and Certifications

External Power Supply cUL, CE, RoHS, TUV

Block Diagram



©2012 Atlas Sound L.P. All rights reserved. Atlas Sound is a trademark of Atlas Sound L.P. All other trademarks are the property of their respective owners. ATSO04063 RevC 1/12