



# World's First Pantone Validated Digital Signage

Professional Display Solution for Optimum Color Performance

Dealer's Stamp

Find our more : [www.business-display.benq.com](http://www.business-display.benq.com)

<b>Headquarters</b> <b>BenQ Corporation</b> 16 Jihu Road, Neihu, Taipei 114, Taiwan Tel : +886-2-2727-8899 Fax : +886-2-2797-9288	<b>Asia Pacific</b> <b>BenQ Asia Pacific Corp.</b> 12 Jihu Road, Neihu, Taipei, 114 Taiwan Tel : +886-2-2727-8899 Fax : +886-2-2656-2438	<b>China</b> <b>BenQ (IT) CO., Ltd</b> 181 Zhuyuan Road, Suzhou New District, Suzhou, China Tel : +86-512- 68078800 Fax : +86-512- 68097010	<b>North America</b> <b>BenQ America Corp.</b> 3200 Park Center Drive, Suite 150, Costa Mesa, CA 92626 U.S.A. Tel : +1-714-559-4900 Fax : +1-714-557-0200	<b>Europe</b> <b>BenQ Europe B.V.</b> Meerenakkerweg 1-17 5652 AR Eindhoven Tel : +31-88-888-9200 Fax : +31-88-888-9299	<b>Latin and Central America</b> <b>BenQ Latin America Corp.</b> 8200 N.W. 33 Street, Suite 301, West Side Plaza III Miami, FL 33122 U.S.A. Tel : +1-305-4211200 Fax : +1-305-4211201
--	---	---	---	--	---

©2019 BenQ Corp. Specification may vary by region, please visit your local stores for details. Actual product's features and specifications are subject to change without notice. This material may include technical information. IFP\_SL6502K\_BR\_EN\_Q2 2019



## BenQ Smart Signage Series



Because it matters



# A Highly Reliable and Versatile Smart Signage

## The All-in-One Smart Solution for All Businesses

SL6502K is the total package suitable for businesses of all kinds. Being the world's first digital signage to achieve Pantone Validated status, SL6502K assures on-screen color fidelity and matched interoperability with Pantone-qualified color production devices. SL6502K offers additional color adjustment flexibility with its fine-tuned custom color modes, fulfilling the needs of professional designers for different types of artwork. The stunning 4K UHD resolution delivers breathtaking visuals to captivate customers. The powerful X-Sign software facilitates effortless content creation and management, while the DMS application guarantees hassle-free display control. To further streamline the day-to-day operation for businesses, SL6502K offers the all-in-one, clutter-free solution that fits perfectly into most neatly organized spaces. Empowered by the highly reliable PID, SL6502K is designed to meet the highest standard to ensure optimal, nonstop operation. SL6502K is the solution that saves you time, efforts and resources all at once.



### Photo Mode

The still images displayed in BenQ SL6502K's Photo mode deliver saturated, vibrant colors in detail to showcase the delicacy of your products from any angle. The precise color performance without distortion of BenQ Smart Signage can be very useful for designers to make your products more attractive and boost sales.



BenQ SL6502K



Other Displays

## Excellent, Durable Display Performance



### Pantone Mode

As the world's first PANTONE validated digital signage, BenQ SL6502K offers a certified color fidelity, fulfilling the absolute consistency and precision that designers need. BenQ Pantone Mode provides an end-to-end solution from design and production via monitors to in-store deployment and broadcast via digital signages for retail display integrators, fashion trendmakers, product brands, and design studios who trust the Pantone system to deliver accurate color production.

### M-Book Mode

As the majority of designers use MacBook or iMac to create their artwork, BenQ exclusive M-Book mode showcases the images displayed on the digital signage close to the one on your M-book. This ensures the original piece of work is similarly represented as intended.



### Flexible Color Adjustment for Different Modes

In addition to offering Pantone validated color fidelity, SL6502K features additional color adjustment flexibility with exclusive Cinema, Photo, and M-Book modes. Fine-tuned to accentuate spellbinding motion video, vibrant still images, and precision design work, these custom modes help to create impactful content and deliver engaging interactions.



### Cinema Mode

In Cinema mode, BenQ SL6502K subtly showcases the images displayed in high-contrast, added depth and dimension, and with vibrant and saturated colors even for motion pictures. Images on the smart panels will become the eye-catcher to captivate your customers in no time.



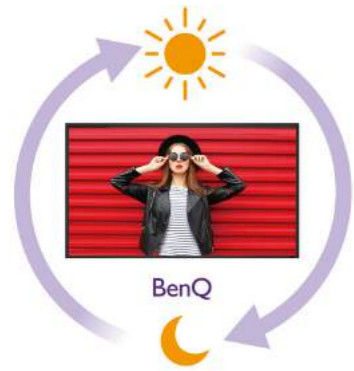
### 4K2K UHD Unparalleled Clarity

An ultra-high definition resolution of 4K2K (3840 x 2160) offers not only the most exquisite image details for an optimal viewing experience but also four times more information and workspace than a 1080p full HD display, enhancing your efficiency and productivity.

### Powerful Performance & Drive

The combination of 32GB system storage and 4GB RAM memory ensures delivery of smooth, seamless display performance at all times, even while the smart signage is multitasking between applications.





### 24/7 Non-stop Operation

An amazing life of 50,000 hours translates to years of non-stop display service and reliable industrial-class performance far more economical than consumer models. Built with better cooling techniques reaching longer runtimes of up to 24 hours a day that is safer and more reliable.



### Flawless Display in Portrait and Landscape View

Unlike anything else available on the market, BenQ Smart Signage displays are built to ensure flawless portrait and landscape view. This choice between vertical and horizontal installation greatly increases flexibility when operators are designing and arranging their stores.



### Wireless Solution for Seamless Collaboration

InstaShare is the software designed for seamless wireless presentation and collaboration during lectures. It allows the smooth streaming of visual, audio files and Full HD quality videos. Users can also mirror content from mobile devices, and invite up to 16 participants for seamless collaboration.

### All-in-One, Clutter Free Solution



#### Android Built-In

Built-in Android means that the BenQ SL6502K is ready to work as soon as operators plug it in. There's no need to hook it up to a PC or other device to serve content, and embedded speakers provide for SL6502K's audio needs. With no cables to hide, the all-in-one SL6502K fits neatly on shelves and reduces clutter.

#### USB Plug & Play

SL6502K's plug-and-play simplicity enables you to access and play multimedia files directly from a USB flash drive. Requiring no PC connection or complicated cable setup, SL6502K ensures a holistic shopping experience with the most hassle-free installation.

### Easy to Install



#### Lightweight Design

Our smart signage displays can be easily mounted or rearranged to suit diverse uses, which saves you plenty of costs and manpower on signage installation, and eventually facilitates different display configurations in stores, offices, and other commercial establishments.

#### Slim & Stylish Design

A narrow bezel and slim design boasts a stylish outlook befitting any in-store environment, whether it's a trendy café or a sophisticated boutique store.

### Integrated X-Sign 2.0 Software with Smart Signage Content Templates

#### Set Up Quickly with BenQ Launcher

Created to aggregate all key tools in one hub, BenQ Launcher provides users useful information including time, internet status, system upgrade reminder, and allows users to access video input sources or finish all the settings without efforts. Furthermore, new users may scan the QR code provided to quickly download the user manual on their smart device. Users can also use the X-Sign software to utilize further applications on the display. Additionally, BenQ Launcher comes with a task switcher, letting users switch between recent apps and input signal sources.



#### X-Sign Designer

BenQ's X-Sign 2.0 takes the hassle out of designing signage content. Included with SL6502K, BenQ's exclusive X-Sign software provides content templates, making it easy for operators to quickly design and roll out new promotional material. The templates also let operators add images, videos, and scrolling text to their marketing materials. The long-size templates let operators create marketing content easily while the ability to enrich materials with media content will boost the store's bottom line.



### Instant Price Updates

Updating prices and other fluctuating content is easy. Operators just need to modify a centralized .csv file in the cloud.



### Broadcast YouTube Live Streaming across Multiple Displays

With X-Sign, operators can insert live YouTube broadcasts of product launches on Smart Signage in real time, which makes promoting new products instant and easy.



### QR Code

#### Interaction and Analysis

X-Sign allows operators to embed QR Codes that, when scanned, can offer customers the latest promotional information. X-Sign also offers QR Code analysis to let operators see when and where customers are interacting with content. This analysis can help operators quickly adjust their offers to match customer interest.



#### Real Time Messages

X-Sign lets operators push real-time messages to the display network to create instant excitement.



### Centralized Remote Display Management

X-Sign's intuitive interface makes it easy for operators to monitor and manage all remote displays from a central, off-site location. With X-Sign, operators can keep tabs on display performance in real-time and receive instant alerts about any issues. Loaded with functionality, X-Sign also allows operators to see what content is playing on each display, manage updates, restart displays, and manage screen on/off and volume settings.

## Hassle-Free Display Management

With cloud features, BenQ DMS combined Device Info and Management, Apps Management and OTA (Over-the-Air) Update to provide you an ultimate device management solution for your productivity.



### Device Info and Management

Remotely control your displays with DMS Cloud via Internet. It's an effective way to lower TCO and energy consumption for your operation.



### Apps Management

Install Android™ apps for a selection of displays through our cloud server. DMS Cloud is designed to save you the hassles of repetitive manual installation work.



### OTA (Over-the-Air) Update

Upgrade the latest BenQ firmware for your displays through our OTA Update support and keep them running smoothly at all times.

## More Features

### DMS Local

DMS Local is a Device Info and Management software based on windows OS. For users who would like to control your displays remotely via LAN, you can download DMS Local software for your operation.

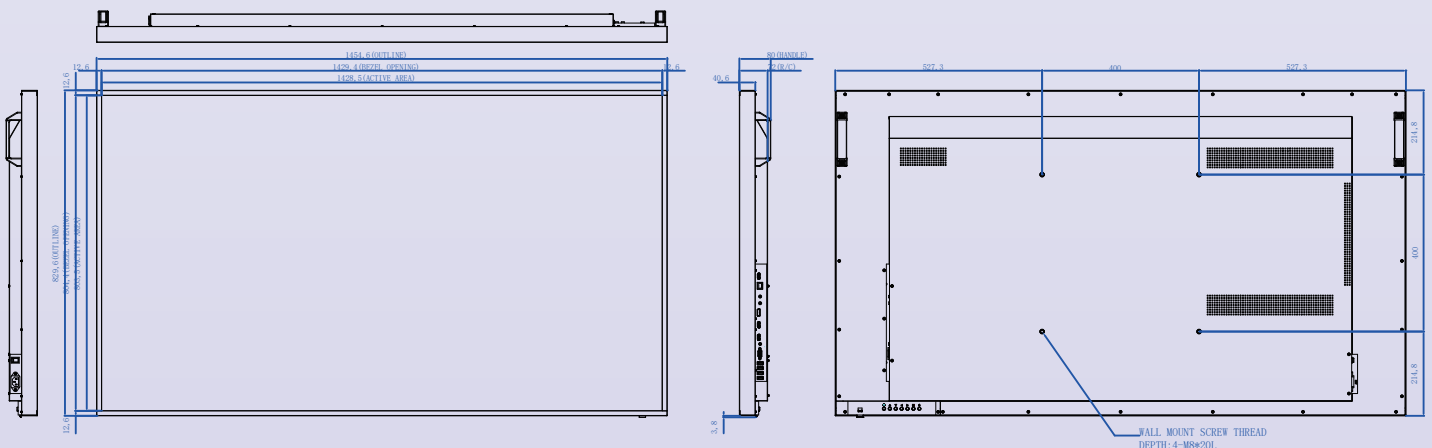
### MDA (Multiple Display Administrator)

For users who would like to control your displays remotely via RS232, you can download MDA software for your operation.

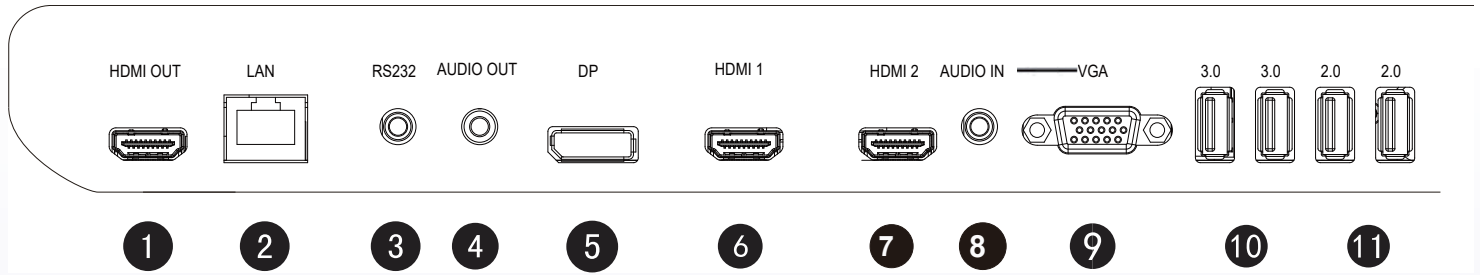
# Specifications

Model Name	SL6502K	
<b>Panel</b>	Screen Size	65"
	Backlight/Lightsource	D-LED
	Active Area (horizontal x vertical)(mm)	1425.5 x 803.5 mm
	Resolution (pixels)	3840 x 2160
	Brightness (typical)	500 nits
	Contrast Ratio (typical)	1200:1
	Viewing Angle (horizontal/vertical)	178 / 178
	Aspect Ratio	16:9
	Light Life (typical)	50000hrs
	Display Orientation	Landscape / Portrait
<b>System</b>	OS	Android
	System Memory (GB)	4GB
	Storage (GB)	32GB
<b>Audio</b>	Internal Speaker (Amp)	10Wx2
	Audio Line In/Out (3.5mm)	N/A / x1
<b>Connectivity</b>	VGA In/Out	x1 / N/A
	HDMI In/Out	x2 / x1
	Display Port In/Out	x1 / N/A
	USB port (Type A)	x4
	RJ45 Port In/Out	x1 / N/A
<b>Control</b>	RS232 In/Out	x1 / N/A
<b>Power</b>	AC/DC In	AC
	AC Power Switch	x1
	Voltage	100V~240V, 50Hz / 60Hz
	Power Consumption (typical/standby )	225W/ < 0.5W
<b>Mechanical</b>	Dimension (WxHxD) (mm)	1454.6 x 829.6 x 72.0mm
	Bezel Width (top/bottom/left/right) (mm)	12.6 / 12.6 / 12.6 / 12.6mm
	Weight (w/o Packing/ w/ Packing) (kg)	35.5 / 48.0
	Wall Mounting (VESA) (mm)	400 x 400 (4 holes); 4 - M8
<b>Environment</b>	Operation Temperature	0°C ~ 40°C
	Storage Temperature	-10°C ~ 60°C
	Usage (Hour/Day)	24/7
<b>OSD</b>	On-Screen Display Languages	26 L
	Multiple Display Control (MDA) Support	Yes
	X-Sign (please check X-Sign website for detailed compatibility info.)	Yes
<b>Accessory</b>	Remote Control	Yes
	Power Cord (by region)	Yes
	VGA Cable	Yes
	HDMI Cable	Yes
	Quick Start Guide	Yes
	User's Manual Electronic File	Yes

# Dimension



## Input/output terminals



No.	Name	Description
1	HDMI OUT	Connects to display devices with an HDMI input.
2	LAN	10/100 LAN interface, connecting RJ45 terminals.
3	RS232	Serial interface, used for mutual transfer of data between devices.
4	AUDIO OUT	Connects to an external audio device (such as a speaker, stereo system, or headphone) to output the audio that is supplied by the video source.
5	DP	Connect a video source to a display device.
6	HDMI 1	Receive 4K2K 60Hz supported signals from an external device.
7	HDMI 2	Receive 4K2K 60Hz supported signals from an external device.
8	AUDIO IN	Receives audio signals from an external device.
9	VGA	Receive analog RGB signals from an external device (such as a computer).
10	2.0	Access multimedia files on USB drives directly.
11	3.0	Access multimedia files on USB drives directly.