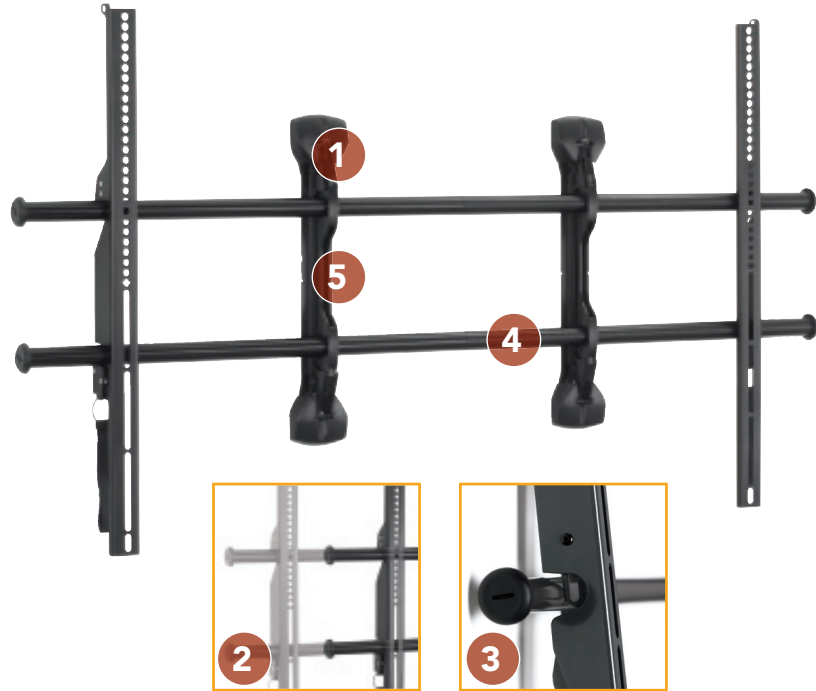




# FIXED WALL MOUNTS XSM™ □ 55 - 75" MICRO-ADJUSTABLE MOUNT

## FUSION SERIES



### FEATURES

- CONTROLZONE™ LEVELING**  
Industry-first feature allows post-installation fine tuning of height and leveling, up to 0.5" adjustment up or down.
- CENTERLESS™ SHIFT**  
Provides up to 23.5" of post-installation lateral shift – 11.75" left/right of uprights.
- CLICKCONNECT®**  
Hear an audible click when the screen safely engages with the mount. A built-in cable stand provides easy access under the screen.
- CUSTOMIZABLE ACCESSORY SYSTEM**  
A full line of supporting accessories can be integrated with the mount, extending the same adjustment benefits to the entire configuration.
- MULTIPLE INSTALLATION OPTIONS**  
Can be installed on 24" on-centers up to 48".  
For 16" on-centers, span 3 studs.

### WHAT YOU NEED TO KNOW

#### ORDERING OPTIONS

Available in custom or universal.

#### OTHER PRODUCT OPTIONS



**PSH2000™**  
Heavy-Duty, Fixed Wall Mount  
– For flat panels over 65" up to 250 lbs (113.4 kg)



**PSMH™**  
Heavy-Duty, Custom Fixed Wall Mount  
– For flat panels over 60", weight cap. varies per custom model

### SPECIFICATIONS

Depth from Wall	1.96" (50 mm)
Max Lateral Shift	23.5" (597 mm)
Dimensions (HxWxD)	16.5" x 48.44" x 1.96" (41.9 x 123 x 5 cm)
Max Mounting Pattern	25.98" (660 mm), height 48.23" (1225 mm), width
Weight Capacity	250 lbs (113 kg)
Color	Black

### RECOMMENDED ACCESSORIES



**FLR100** ■ Left/Right Speaker Adapters



**FCC100** ■ Center Channel Speaker Adapters



**FCS100** ■ Single Component Shelf  
- below

For a complete list of FUSION mount accessories see page 87.

### TECHNICAL DRAWINGS

