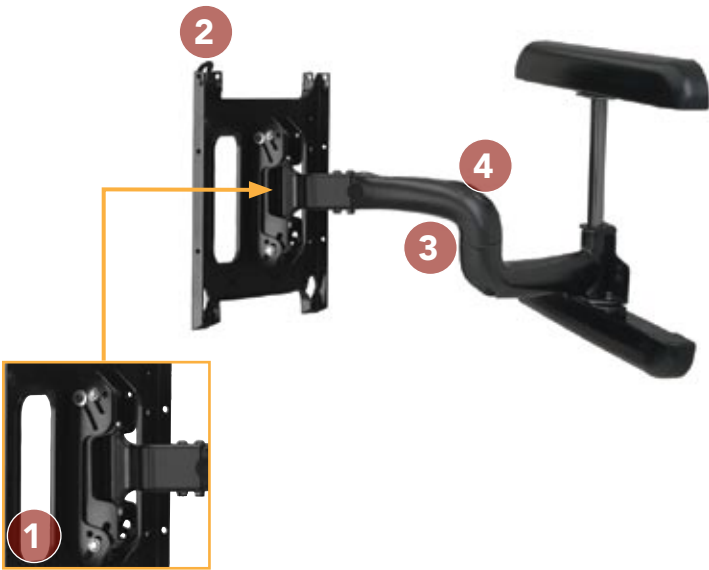




# SWING ARM MOUNTS PWR™ 30 - 55" WALL MOUNT



## FEATURES

- CENTRIST™ FINGERTIP TILT**  
Effortlessly adjust display using Centrist fingertip tilt technology. Screen angle stays set until you decide to re-adjust.
- CLICKCONNECT™ TECHNOLOGY**  
**PATENT-PENDING**  
An audible click confirms flat panels are locked in place. Easy to connect/disconnect - no tools needed! Protect display by adding a padlock.
- EXTENDS UP TO 24.88"**  
Extends up to 24.88" (632 mm) for viewing from any angle!
- CABLETRAC™ SYSTEM**  
Channeled cable management provides quick and easy routing of cables.

## WHAT YOU NEED TO KNOW

### ORDERING OPTIONS

Available in Custom and Universal.

- PWRU = Universal 30 - 50"
- PWR-XXXX = Custom (see MountFinder at [www.chiefmfg.com](http://www.chiefmfg.com))

## SPECIFICATIONS

Extension	24.88" (632 mm)
Tilt/Roll	+5°, -15°/ ±2.5°
Dimensions* (HxWxD)	18" x 23.63" x 3.38" (457 x 600 x 86 mm)
Color	Black, Silver
Weight Capacity	125 lbs (56.7 kg)

\* Dimensions don't include interface bracket



## RECOMMENDED ACCESSORIES

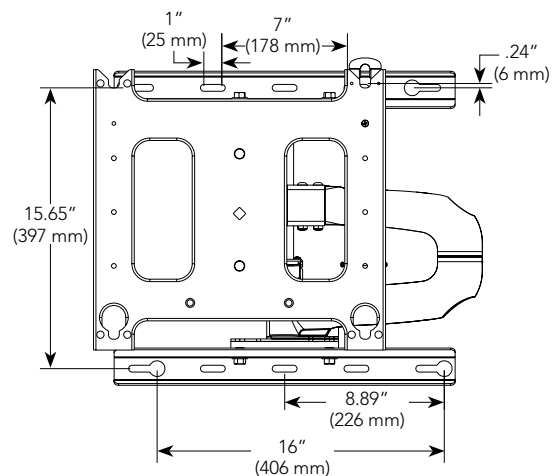


**PACCC1** ■ Center Channel Speaker Adapter



**PACLR1** ■ Left/Right Speaker Adapter

## TECHNICAL DRAWINGS



For a complete list of flat panel mount accessories see page 69.