



SWING ARM MOUNTS PDR™ □ 42 - 71" WALL MOUNT



FEATURES

- 1 CENTRIS™ FINGERTIP TILT**
Select the perfect tension for your screen's center of gravity to achieve smooth fingertip tilt. Screen angle stays set until you decide to re-adjust.
- 2 POST-INSTALLATION HEIGHT ADJUSTMENT**
Adjust height up to 1" (25 mm) after mount is installed for ultimate flexibility.
- 3 CLICKCONNECT™ TECHNOLOGY**
PATENT-PENDING
An audible click confirms flat panels are locked in place. Easy to connect/disconnect - no tools needed! Protect display by adding a padlock.
- 4 EXTENDS UP TO 37"**
Extends up to 37" (940 mm) for viewing from any angle!
- 5 CABLETRAC™ SYSTEM**
Channeled cable management provides quick and easy routing of cables.

WHAT YOU NEED TO KNOW

ORDERING OPTIONS

Available in custom and universal.

- PDRU = Universal 42 - 63"
- PDR-XXXX = Custom (see MountFinder at www.chiefmfg.com)

SPECIFICATIONS

Extension 37" (940 mm)

Tilt*/Roll +5°, -17°/ ±2.5°

Height Adjustment 1.25" (32 mm)

Dimensions** 22.04" x 39.5" x 3.4"
(HxWxD) (56 x 100.3 x 8.6 cm)

Color Black, Silver

Weight Capacity 200 lbs (90.7 kg)

* The range of adjustment will vary with different size screens

** Dimensions don't include interface bracket



RECOMMENDED ACCESSORIES

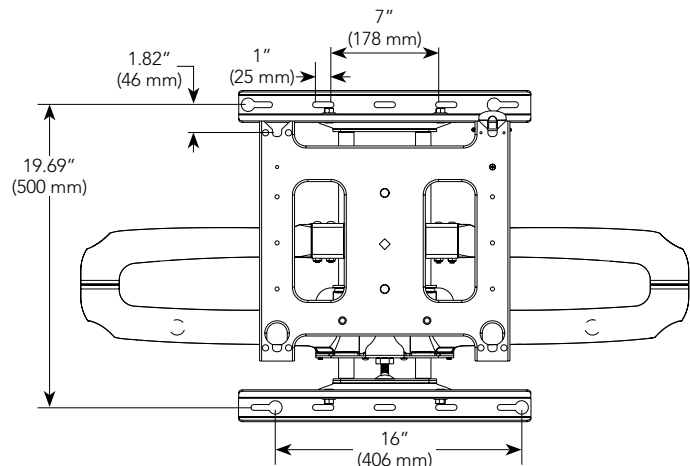


PACCC1 ■ Center Channel Speaker Adapter



PACLR1 ■ Left/Right Speaker Adapter

TECHNICAL DRAWINGS



For a complete list of flat panel mount accessories see page 73.