

PLCM-2
PLCM-3
PLCM-4



Display size
up to 29"
PLCM-3
up to 75"
PLCM-2/PLCM-4



Max load
150lb (68kg)
PLCM-4
225lb (102kg)
PLCM-2/PLCM-3

Tilt Boxes

FOR UP TO 29" AND UP TO 75" DISPLAYS

Peerless-AV's PLCM-2, PLCM-3 and PLCM-4 Tilt Boxes are designed completely from cold rolled steel, adding maximum strength and reliability for your ceiling mount application. The PLCM Tilt Boxes can be used in conjunction with Peerless-AV's AEC or EXT columns, along with the PLP adaptor plates for custom ceiling mount applications. These Tilt Boxes provide up to 20° of forward tilt, and 360° of swivel, making it possible to find the perfect viewing angle.

With 360° of side-to-side swivel you can create endless viewing possibilities from anywhere within your application.



Additional Features

- ✓ 0° to 20° adjustable tilt
- ✓ 360° swivel
- ✓ PLCM-2 and PLCM-3 easily connect to Peerless-AV AEC and EXT columns or 1.5" NPT pipe, sold separately (Not compatible with AEC006009, EXT002 and EXT006 models)
- ✓ PLCM-4 mounts to 1.5" to 2.0" pipe using 2" u-bolts
- ✓ PLCM-3 model includes VESA® 75 and 100 mounting pattern
- ✓ PLCM-2 and PLCM-4 requires adaptor plate, sold separately
- ✓ Ceiling plate and extension columns sold separately
- ✓ Theft-resistant Penta-Pin™ security screws included

HEAVY GAUGE CONSTRUCTION

Made entirely from cold rolled steel, providing maximum strength and reliability

EASY ADJUSTMENT

Up to 20° of tilt helps set the perfect viewing angle

MAXIMUM VIEWING POSSIBILITIES

360° of side-to-side swivel creates endless viewing possibilities from anywhere in the room



PLCM-2



Tilt Box, PLCM-3, includes VESA® 75 and 100 mounting pattern





Stackable Tilt Box, PLCM-4



Dedicated Adaptor Plates, PLP-V models, sold separately



PLCM-2: 

PLCM-3: 

- PLCM-2:** Tilt Box for up to 75" Displays
- PLCM-3:** Tilt Box for up to 29" Displays
- PLCM-4:** Stackable Tilt Box for up to 75" Displays

Product Specifications

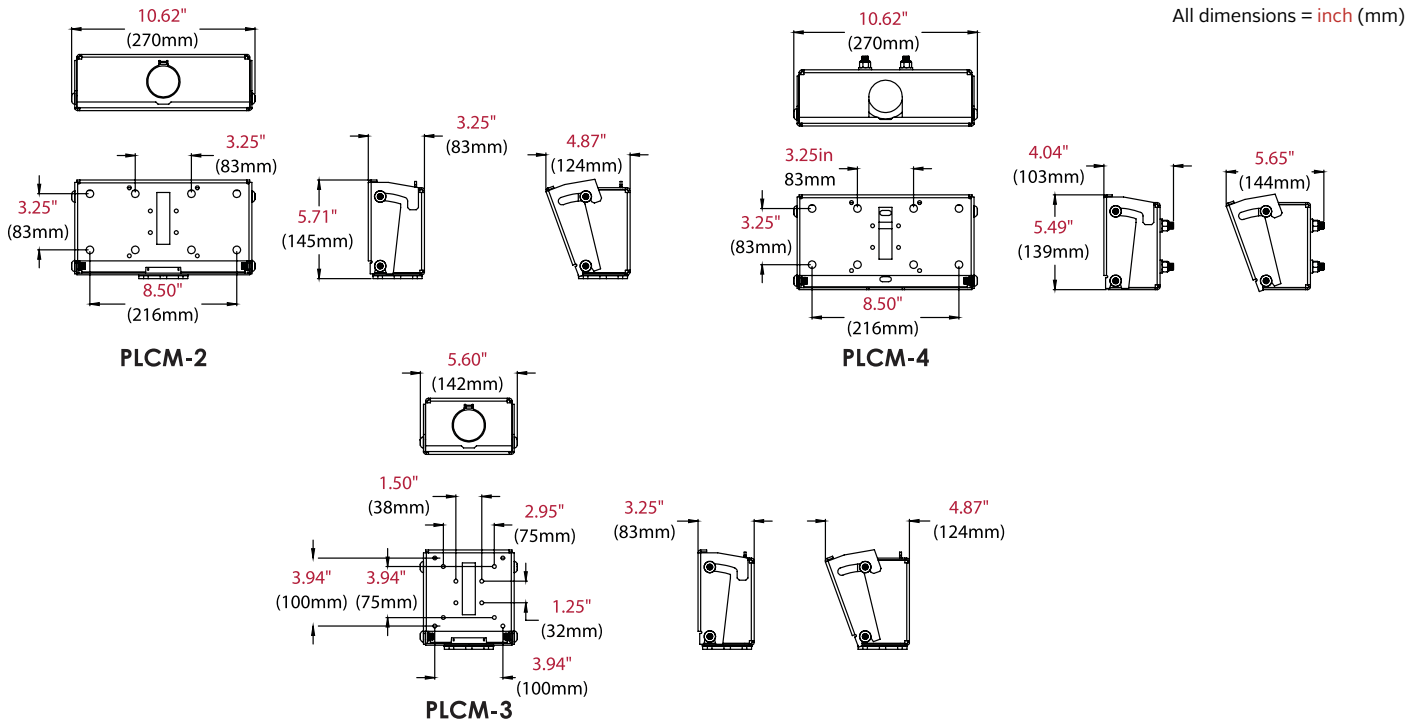
	DIMENSIONS (W x H x D)	PRODUCT WEIGHT	LOAD CAPACITY	FINISH	AVAILABLE COLORS
PLCM-2	10.62" x 5.71" x 3.25" (270 x 145 x 83mm)	6.25lb (2.84kg)	225lb (102kg)	Powder Coat	Black
PLCM-3	5.60" x 5.71" x 3.25" (270 x 145 x 83mm)	3.8lb (1.73kg)	225lb (102kg)		
PLCM-4	10.62" x 5.49" x 4.04" (270 x 139 x 103mm)	11.0lb (5.00kg)	150lb (68kg)		

Package Specifications

	PACKAGE SIZE (W x H x D)	PACKAGE SHIP WEIGHT	PACKAGE UPC CODE	PACKAGE CONTENTS	UNITS IN PACKAGE
PLCM-2	12.25" x 9.63" x 4.00" (311 x 244 x 102mm)	6.9lb (3.1kg)	735029214212	Tilt Box, mounting collar & Installation instructions	1
PLCM-3	12.25" x 9.63" x 4.00" (311 x 244 x 102mm)	4.6lb (2.07kg)	735029262312	Tilt box, attachment hardware, installation instructions	
PLCM-4	12.25" x 9.63" x 4.00" (311 x 244 x 102mm)	11.0lb (5.0kg)	735029252023	Tilt box, attachment hardware, installation instructions	

Accessories

- ACC, CMJ, DCS, DCT Models:** Ceiling Plates
- AEC Models:** Adjustable Length Extension Columns
- EXT Models:** Fixed Length Extension Columns
- PLP-UNM(P)(-S):** Universal Display Adaptor for 22" to 46" Displays
- PLP-UNL(P)(-S):** Universal Display Adaptor for 32" to 75" Displays
- PLP-V models:** Dedicated Display Adaptor



Architect Specifications

The Smartmount® Tilt Box shall be a Peerless-AV model PLCM-2, PLCM-3 or PLCM-4 and shall be located where indicated on the plans. Assembly and installation shall be done according to instructions provided by the manufacturer.

Visit peerless-av.com to see the complete line of AV solutions from Peerless-AV, including outdoor displays, wireless, kiosks, digital audio, display mounts, projector mounts, carts/stands, and a full assortment of accessories.

Peerless-AV
 2300 White Oak Circle
 Aurora, IL 60502 USA
(800) 865-2112
(630) 375-5100
Fax: (800) 359-6500

Peerless-AV Europe
 Unit 3 Watford Interchange
 Colonial Way, Watford
 Herts, WD24 4WP
 United Kingdom
+44 (0) 1923 200100
Fax: +44 (0) 1923 200101

Peerless-AV de México
 Ave de las Industrias 413
 Parque Industrial Escobedo
 Escobedo, N.L.,
 Mexico 66050
+52 (81) 8384-8300
Fax: +52 (81) 8384-8360

