

SA730P

**SMARTMOUNT.**

# Articulating Wall Arm

For 10"-29" Displays

From any angle, this wall arm mount reflects remarkable form and function. Extending the display up to 16.06" (408mm) from the wall and allowing for a full 180° of side-to-side motion for viewing in any part of the room. Fine-tuning of the installation is simple with its side-to-side display leveling features that help achieve installation perfection. This articulating arm also provides display centering on the wall plate and integrates a cable management system, centering the TV on the wall when retracted and organizing and protecting the cables at all times. Designed and built in the USA, this mount maintains the same brilliant look as the entire SmartMount® 700 Series line of Articulating and Pivot Wall Arm Mounts.



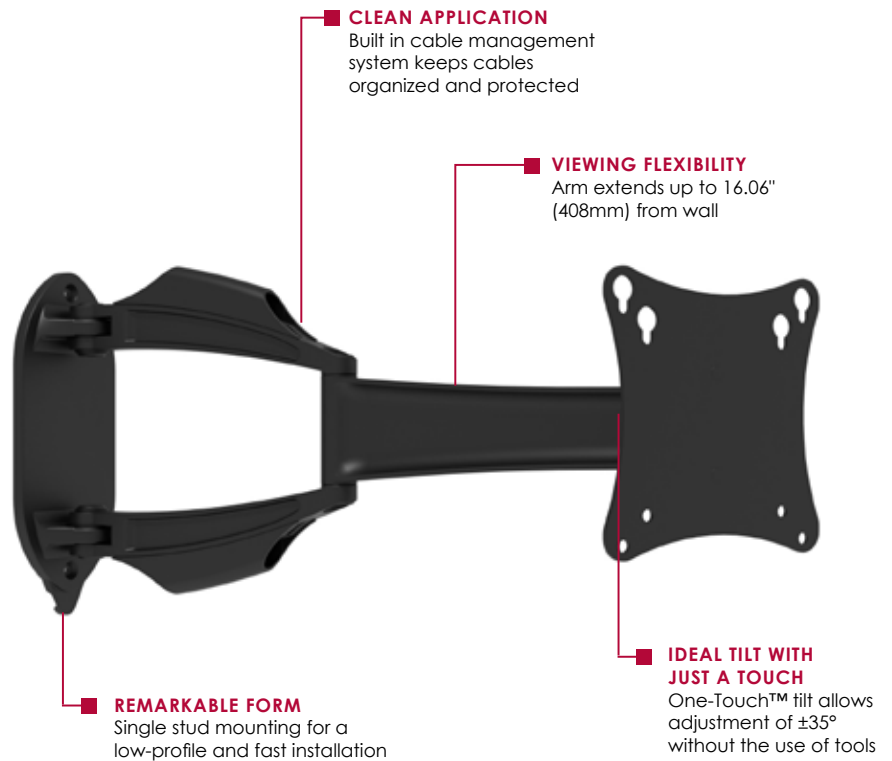
Screen size: 10"-29"



Max load: 25lb (11kg)

## FEATURES

- Compatible with 10" to 29" displays with mounting hole patterns of 75 x 75 and 100 x 100mm
- Display can be held as close to the wall as 2.19" (56mm) or be extended as far as 16.06" (408mm)
- Pre-tensioned tilt mechanism offers up to ±35° of One-Touch™ tilt
- ±7° of roll allow for post installation leveling
- Multi-arm construction allows for a full 180° range of motion
- Display can be swiveled a full 90°
- Built-in cable management system makes running cables simple while keeping the cables protected
- Display centers on wall plate for easy mount placement
- UL Listed for up to 25lb (11kg) load capacity



Post-installation leveling



Cable management from display to wall plate protects and organizes cables



Patented. Design Patent No. D666,180; D640,675; D630,197; D634,739; D643,835; D631,038; D631,874.

CLICK: [peerless-av.com](http://peerless-av.com)

CALL: 800.865.2112

FAX: 800.359.6500

**peerless-AV**

**SA730P** SmartMount® Articulating Wall Arm for 10"-29" Displays

**Product Specifications**

	<b>DIMENSIONS (W x H x D)</b>	<b>PRODUCT WEIGHT</b>	<b>LOAD CAPACITY</b>	<b>FINISH</b>	<b>AVAILABLE COLORS</b>
<b>SA730P</b>	9.60" x 8.06" x 2.19"-16.06" (244 x 205 x 56-408mm)	3lb (1.4kg)	25lb (11kg)	Scratch resistant fused epoxy	Gloss Black

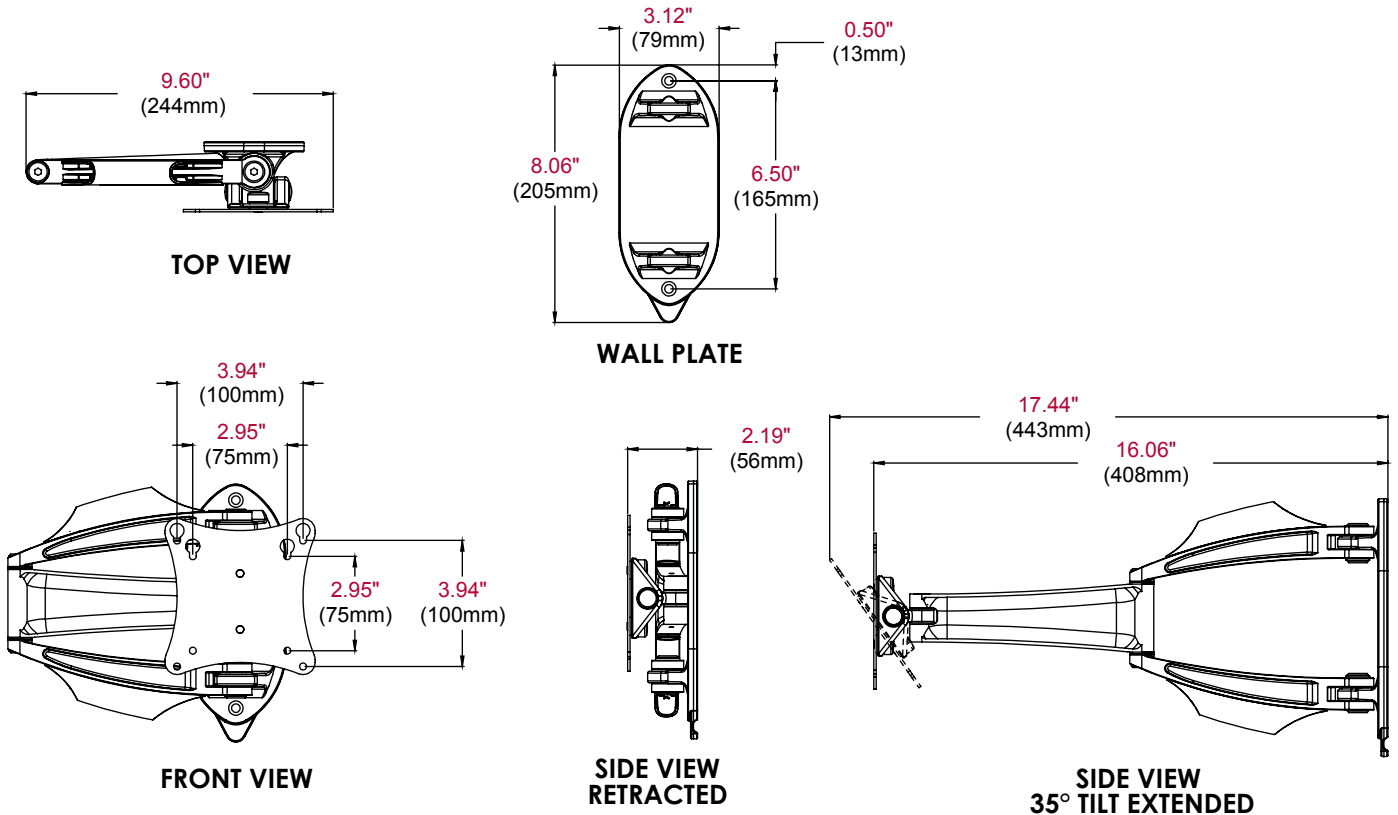
**Package Specifications**

	<b>PACKAGE SIZE (W x H x D)</b>	<b>PACKAGE SHIP WEIGHT</b>	<b>PACKAGE UPC CODE</b>	<b>PACKAGE CONTENTS</b>	<b>UNITS IN PACKAGE</b>
<b>SA730P</b>	11.75" x 10" x 2.75" (298 x 254 x 70mm)	3.5lb (1.5kg)	735029237389	Mount, wall and display attachment hardware, installation instructions	1

**Accessories**

- ACC918:** Security Faseteners
- ACC215:** 2-pack Metal Stud Fastener Kit
- WSP700:** Metal Stud Wall Plate for 16" Center Metal Studs
- WSP701:** Metal Stud Wall Plate for 20" and 24" Center Metal Studs

All dimensions = inch (mm)



**ARCHITECTS SPECIFICATIONS**

The SmartMount® Articulating Wall Arm shall be a Peerless-AV model SA730P and shall be located where indicated on the plans. It shall feature scratch resistant black or silver fused epoxy finish. Assembly and installation shall be done according to instructions provided by the manufacturer.

Peerless Industries, Inc. ■ 2300 White Oak Circle ■ Aurora, IL 60502 ■ (800) 865-2112 ■ (630) 375-5100 ■ Fax: (800) 359-6500 ■ [peerless-av.com](http://peerless-av.com)

Visit [peerless-av.com](http://peerless-av.com) to see the complete line of AV solutions from Peerless-AV, including flat panel mounts, projector mounts, carts/stands, furniture, cables, display cleaners and a full assortment of accessories.