

SP746PU

SMARTMOUNT. Pivot Wall Mount For 32"-50" Displays

Supporting displays up to 50" the SP746PU mount provides pivoting functionality for the viewing angle adjustment when full articulation is not required. This user-friendly and easy to install mount delivers one touch side-to-side swivel and tilting functionality that is complemented by its lightweight construction and intuitive three step installation process. Adding to its pivot functionality is the mounts clean aesthetic, contributed to by its cable management system that easily organizes and routes cables, focusing all the attention on the display. Designed and built in the USA.



FEATURES

- Universal display adaptors provide compatibility with up to a VESA® 400 x 400mm mounting hole pattern
- Arm extends up to 12.55" (319mm) from wall
- One-Touch™ tilt allows adjustment of +15/-5° without the use of tools
- Up to ±90° of side-to-side swivel
- ±5° of roll to level display horizontally
- Integrated cable management keeps cables out of the way



Display size: 32"-50"



Max load: 70lb (32kg)



Cable management from the display to the wall plate for an organized, clean look



Patented. Design Patent No. D631,038; D640,673. Utility Patent No. 8,517,322.

CLICK: peerless-av.com

CALL: 800.865.2112

FAX: 800.359.6500

peerless-AV®

SP746PU SmartMount® Pivot Wall Mount for 32"-50" Displays

Product Specifications

	DIMENSIONS (W x H x D)	PRODUCT WEIGHT	LOAD CAPACITY	FINISH	AVAILABLE COLORS
SP746PU	18.82" x 17.00" x 3.74"-12.55" (478 x 432 x 95-319mm)	7.23lb (3.28kg)	70lb (32kg)	Scratch resistant fused epoxy	Gloss black

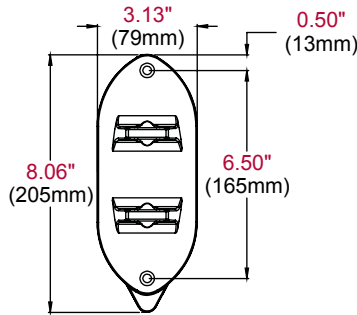
Package Specifications

	PACKAGE SIZE (W x H x D)	PACKAGE SHIP WEIGHT	PACKAGE UPC CODE	PACKAGE CONTENTS	UNITS IN PACKAGE
SP746PU	21" x 11.5" x 5" (533 x 292 x 127mm)	7.7lb (3.5kg)	735029271918	Mount, display and wall mounting hardware	1

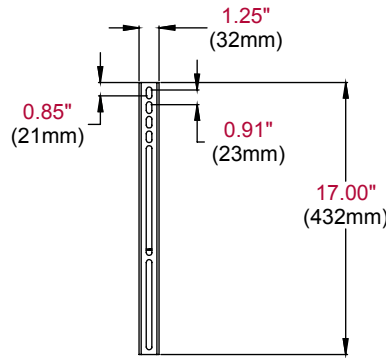
Accessories

- ACC925:** Security Fasteners
- WSP700:** Metal Stud Wall Plate for 16" Center Metal Studs
- WSP701:** Metal Stud Wall Plate for 20" and 24" Center Metal Studs

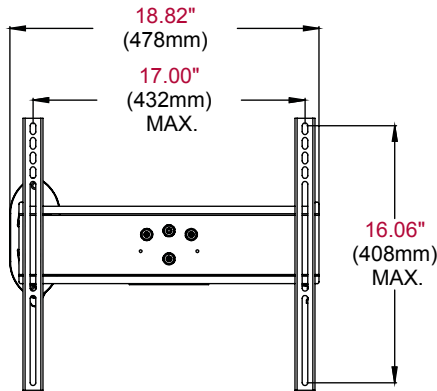
All dimensions = inch (mm)



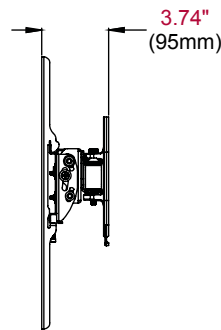
WALL PLATE



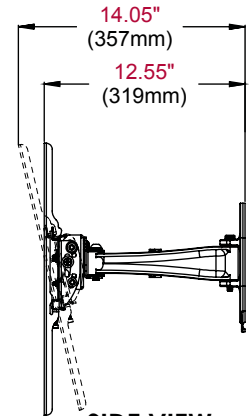
VERTICAL ADAPTER



FRONT VIEW



SIDE VIEW RETRACTED



SIDE VIEW 15° TILT EXTENDED

ARCHITECTS SPECIFICATIONS

The SmartMount® Pivoting Wall Mount shall be a Peerless-AV model SP746PU and shall be located where indicated on the plans. Assembly and installation shall be done according to instructions provided by the manufacturer. Mount is made of scratch resistant epoxy black finish.