

SA746PU

SMARTMOUNT.

# Articulating Wall Arm

For 32"-50" Displays

From any angle, this articulating mount reflects remarkable form and function. This noticeably smaller and lighter weight universal, two-link articulating arm will accommodate a wide range of displays, delivering ultimate performance and maximum support with a minimal footprint. This articulating arm's design features a fold-flat-and-center design that centers the display on the wall plate when the mount is in its closed position. It provides a clean aesthetic with its cable management system that easily hides, organizes and routes cables, focusing all the attention on the display. With an exceptional extension up to 20.92" (531mm) from the wall and a full 180° of side-to-side motion, this mount provides virtually unlimited viewing possibilities. Installation is made simple with post installation fine-tuning that allows for display alignment adjustments, ensuring the display is level even if the mounting surface is not perfect. Designed and built in the USA.



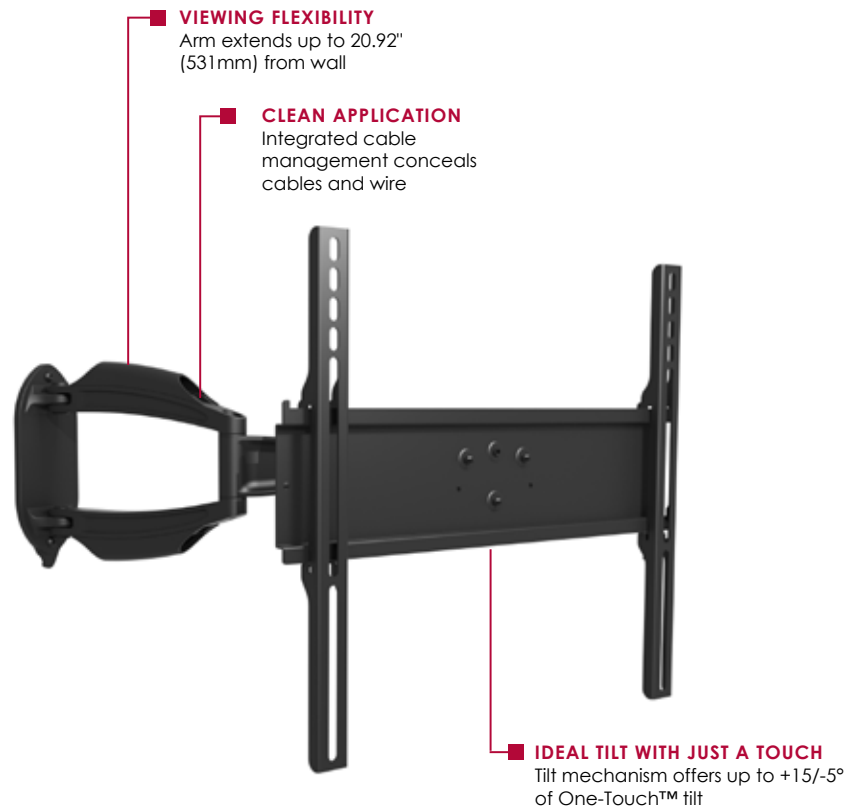
Display size: 32"-50"



Max load: 70lb (32kg)

## FEATURES

- Universal display adaptors provide compatibility with up to a VESA® 400 x 400mm mounting hole pattern
- Arm extends up to 20.92" (531mm) from wall
- Three adjustable pivot points for versatile display positioning
- Tilt mechanism offers up to +15/-5° of One-Touch™ tilt
- ±5° roll aide in post-installation display leveling
- Integrated cable management keeps cables out of the way
- Fold-flat-and-center design that positions the display centered on the wall plate when the mount is collapsed



Post-installation leveling



Cable management from display to wall plate protects and organizes cables



Patented. Design Patent No. D634,739; D643,835; D631,874; D666,180; D640,675; D630,197.  
Utility Patent No. 8,348,212; 8,517,322.

CLICK: [peerless-av.com](http://peerless-av.com)

CALL: 800.865.2112

FAX: 800.359.6500

peerless-AV®

<b>SA746PU</b>	SmartMount® Articulating Wall Arm for 32"-50" Displays
----------------	--

Product Specifications

	DIMENSIONS (W x H x D)	PRODUCT WEIGHT	LOAD CAPACITY	FINISH	AVAILABLE COLORS
<b>SA746PU</b>	18.75" x 17.00" x 4.34"-20.92" (476 x 432 x 110-531mm)	8.82lb (4kg)	70lb (32kg)	Scratch resistant fused epoxy	Gloss black

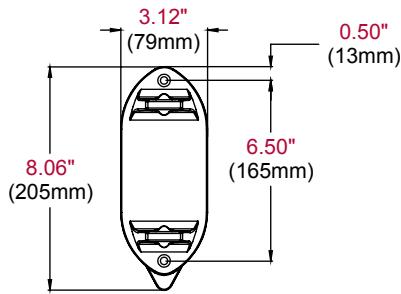
Package Specifications

	PACKAGE SIZE (W x H x D)	PACKAGE SHIP WEIGHT	PACKAGE UPC CODE	PACKAGE CONTENTS	UNITS IN PACKAGE
<b>SA746PU</b>	21" x 11.5" x 5" (533 x 292 x 127mm)	9.5lb (4.3kg)	735029271901	Mount, display and mounting hardware	1

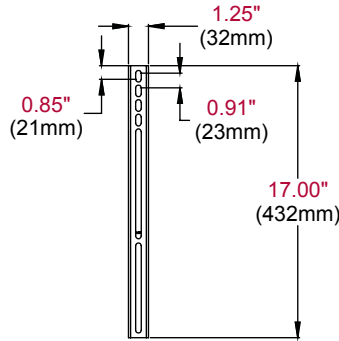
Accessories

<b>ACC925:</b>	Security Fasteners
<b>WSP700:</b>	Metal Stud Wall Plate for 16" Center Metal Studs
<b>WSP701:</b>	Metal Stud Wall Plate for 20" and 24" Center Metal Studs

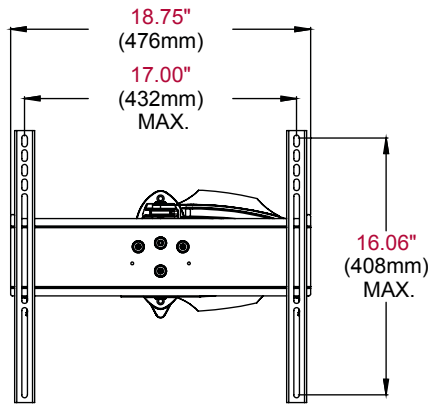
All dimensions = inch (mm)



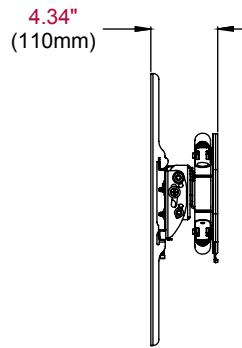
**WALL PLATE**



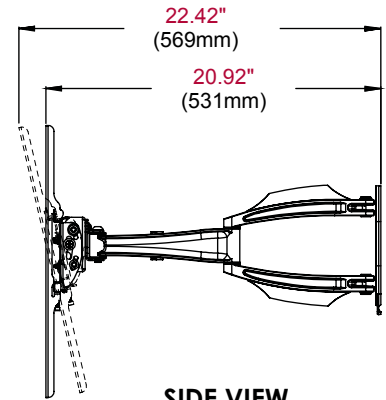
**VERTICAL ADAPTER**



**FRONT VIEW**



**SIDE VIEW**



**SIDE VIEW  
15° TILT EXTENDED**

**ARCHITECTS SPECIFICATIONS**

The SmartMount® Articulating Wall Arm shall be a Peerless-AV model SA746PU and shall be located where indicated on the plans. Assembly and installation shall be done according to instructions provided by the manufacturer. Mount is made of scratch resistant epoxy black finish.