

PTM400(-W)  
PTM400S(-W)



Max load  
**5lb (2.3kg)**

# Universal Desktop Tablet Mount

FOR TABLETS LESS THAN 0.75" (19mm) DEEP

Peerless-AV® makes it simple to mount almost any tablet with the PTM400(S). With its width and height adjustable cradle, this versatile, universal desktop mount adapts to virtually any tablet, securing it tightly into place. Its sleek design, along with thirty degrees of tilt and swivel and three hundred sixty degrees of roll, make it just as functional as it is stylish. Available in a theft-resistant security version or Phillips head version, the PTM400(S) is a great accessory for any desktop workspace.

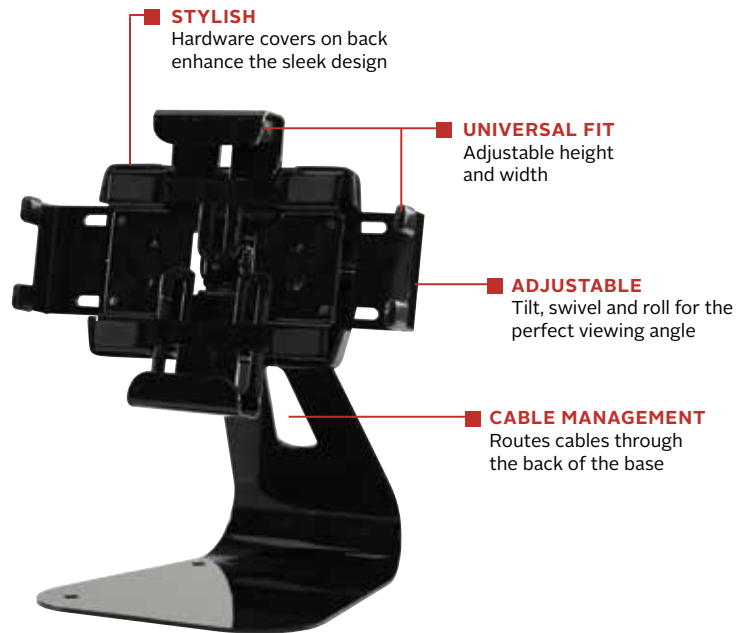
*The PTM400's adjustable height and width feature provides adaptability to many tablets available on the market.*



## Additional Features

- ✓ Cradle provides adjustable height and width, providing a universal fit for most tablets
- ✓ Stylish cover for complementary aesthetics
- ✓ ±30° of One-Touch™ tilt and swivel
- ✓ 360° of roll for versatile placement options
- ✓ Option to place on desk or secure down with theft resistant security screws
- ✓ Tablet can be rotated from landscape to portrait without removing the tablet
- ✓ Two color options available for coordinating with tablet aesthetics

Note: Tablet not included



Shown with iPad2



Expand or contract the arms to create a custom fit for virtually any tablet

Patented. Design Patent No. D650,774, D650,372.

## Model Numbers

**WARRANTY: Limited 5-year**

PTM400S(-W)	Universal Desktop Tablet Mount for Tablets less than 0.75" (19mm) deep - includes theft resistant hardware
PTM400(-W)	Universal Desktop Tablet Mount for Tablets less than 0.75" (19mm) deep - includes standard hardware

## Product Specifications

	DIMENSIONS (W x H x D)	PRODUCT WEIGHT	LOAD CAPACITY	FINISH	AVAILABLE COLORS
PTM400(S)(-W)	6.71"-11.21" x 9.35"-11.34" x 7.02" (170-285 x 237-288 x 178mm)	3.77lb (1.71kg)	5 lb (2.27kg)	TGIC Polyester Powder Coat	PTM400(S): Black PTM400(S)-W: White

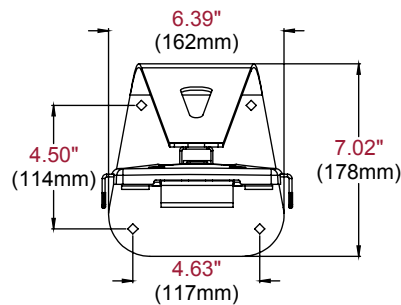
## Package Specifications

	PACKAGE SIZE (W x H x D)	PACKAGE SHIP WEIGHT	PACKAGE UPC CODE	PACKAGE CONTENTS	UNITS IN PACKAGE
PTM400(S)(-W)	10" x 8" x 10" (254 x 203 x 254mm)	5.00lb (2.27kg)	PTM400: 735029282143 PTM400S: 735029282174 PTM400-W: 735029282167 PTM400S-W: 735029282198	Desktop Mount and attachment hardware	1

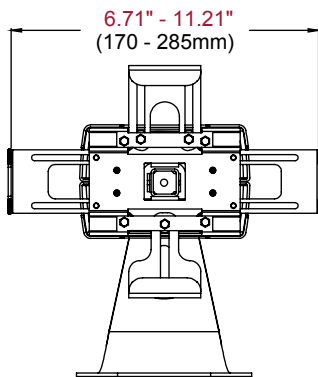
## Accessories

**ACC954:** Theft Resistant Security Kit

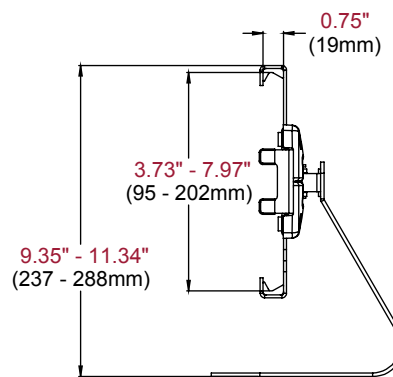
All dimensions = **inch** (mm)



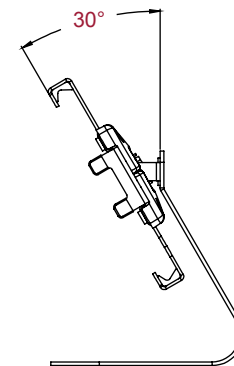
**TOP VIEW**



**FRONT VIEW**



**SIDE VIEW**



**SIDE VIEW TILTED**

## Architect Specifications

The Universal Desktop Tablet Mount shall be Peerless-AV models PTM400S(-W)/PTM400(-W) Assembly and installation shall be done according to instructions provided by the manufacturer.

Visit [peerless-av.com](http://peerless-av.com) to see the complete line of AV solutions from Peerless-AV, including outdoor displays, wireless, kiosks, digital audio, display mounts, projector mounts, carts/stands, and a full assortment of accessories.

**Peerless-AV**  
2300 White Oak Circle  
Aurora, IL 60502 USA  
**(800) 865-2112**  
**(630) 375-5100**  
**Fax: (800) 359-6500**

**Peerless-AV Europe**  
Unit 3 Watford Interchange  
Colonial Way, Watford  
Herts, WD24 4WP  
United Kingdom  
**+44 (0) 1923 200100**  
**Fax: +44 (0) 1923 200101**

**Peerless-AV de México**  
Ave de las Industrias 413  
Parque Industrial Escobedo  
Escobedo, N.L.,  
Mexico 66050  
**+52 (81) 8384-8300**  
**Fax: +52 (81) 8384-8360**

**peerless-AV®**

LIT-0848 rev.1