

PANA-85CEIL

Ceiling Mount

For Panasonic TH-85PF12U/ TH-85PF12E Flat Panel Screens

For exquisite viewing, Peerless offers the PANA-85CEIL ceiling mount, designed exclusively for the Panasonic 85-inch TH-85PF12U and TH-85PF12E. The tilt and swivel features make it the ultimate choice when mounting the extra-large flat panel screen to the ceiling. A single extension column will hang the screen from the ceiling to a desirable height while also allowing the screen to tilt at 5, 10, 15 or 20 degrees to achieve an optimal viewing angle. A supporting cross tube holds the screen stable while the extension column adds the convenience of a full 360 degrees of swivel for perfect positioning. Installing the TH-85PF12U/E is easy, its use of keyhole slots in the adapter plates allows simple hook-on screen attachment.



FEATURES

- Keyhole slots provide ease of installation
- Tilts 5, 10, 15 or 20 degrees for optimal viewing angle
- Swivels 360 degrees



Screen size: 85" (216cm)



Max load: 300lb (136kg)



THE IDEAL VIEWING ANGLE
Tilts 5, 10, 15 or 20 degrees for optimal viewing angle

QUICK AND SIMPLE INSTALLATION
Keyhole slots provide ease of installation



SIDE VIEW WITH SCREEN

Screen can be tilted 5, 10, 15 or 20 degrees

PANA-85CEIL: Ceiling Mount for Panasonic TH-85PF12U/ TH-85PF12E Flat Panel Screens

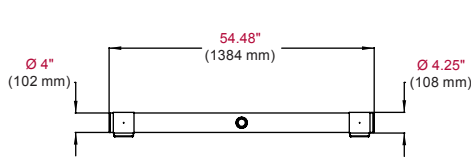
Product Specifications

	DIMENSIONS (W x H x D)	PRODUCT WEIGHT	LOAD CAPACITY	FINISH	AVAILABLE COLORS
PANA-85CEIL	54.0" x 43.0" x 5.0" (1372 x 1092 x 127mm)	33lb (15kg)	300lb (136kg)	Powder coat	Matte black

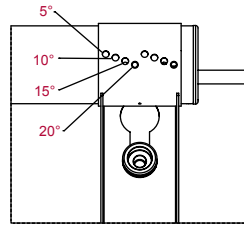
Package Specifications

	PACKAGE SIZE (W x H x D)	PACKAGE SHIP WEIGHT	PACKAGE UPC CODE	PACKAGE CONTENTS	UNITS IN PACKAGE
PANA-85CEIL	67.25" x 17.13" x 4.38" (1708 x 435 x 111mm)	38lb (17kg)	735029268167	Cross support tube, tilt brackets (2), mounting hardware and end caps	1

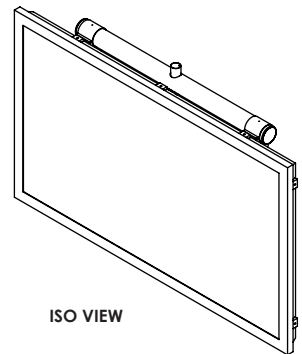
All dimensions = inch (mm)



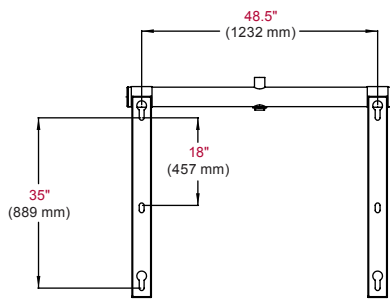
TOP VIEW



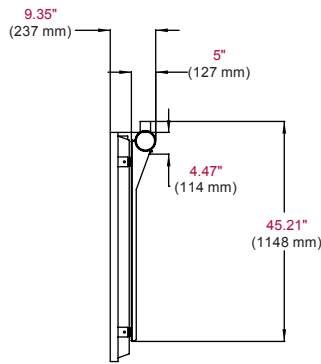
DETAIL VIEW



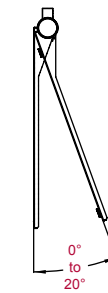
ISO VIEW



FRONT VIEW



SIDE VIEW



TILT ANGLES

ARCHITECTS SPECIFICATIONS

The Ceiling Mount for the Panasonic TH-85PF12U television shall be a Peerless model PANA-85CEIL and shall be located where indicated on the plans. It shall be constructed of heavy gauge cold rolled steel. Assembly and installation shall be done according to instructions provided by the manufacturer.