

SS560F

# Flat Panel Floor Stand

## For up to 65" Displays



The Peerless-AV SS560F Floor Stand is designed to provide the ideal display viewing position and match the décor of any environment - boardrooms, training rooms, lobbies, classrooms, auditoriums, or exhibit halls. A full line-up of accessories offers each stand the functionality to be fully tailored to meet specific requirements; whether video conferencing from a boardroom or presenting on a trade show floor. Internal cable management hides the AV cabling, showing a clean, clutter-free look.



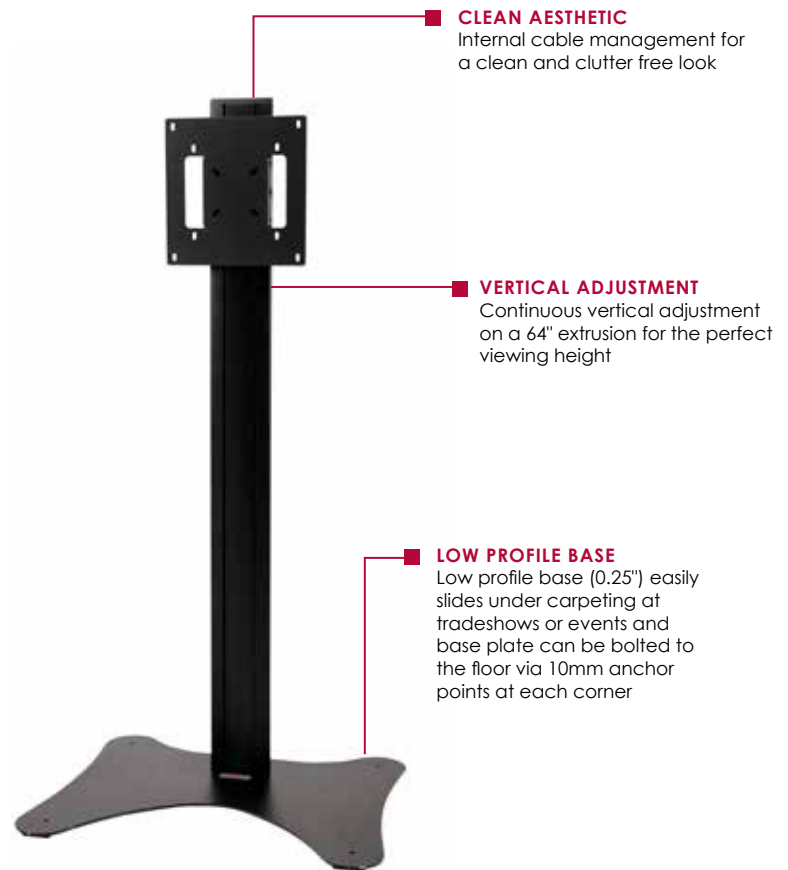
Display size: up to 65"



Max load: 160lb (72.5kg)

### FEATURES

- Wide range of height adjustment
- Sleek modern design blends in well with any décor and at any event
- Provides room to add shelves for accessories
- Incremental tilt of -2°, 0° and +5° locks in the ideal viewing angle
- VESA® 200, 300, 200 x 300mm compliant
- Supports non-VESA® displays with additional PLP display adaptor plates (sold separately)
- Fits up to 65" displays in either portrait or landscape
- Includes theft-resistant hardware for attaching the display



■ **CLEAN AESTHETIC**  
Internal cable management for a clean and clutter free look

■ **VERTICAL ADJUSTMENT**  
Continuous vertical adjustment on a 64" extrusion for the perfect viewing height

■ **LOW PROFILE BASE**  
Low profile base (0.25") easily slides under carpeting at tradeshow or events and base plate can be bolted to the floor via 10mm anchor points at each corner



Internal cable management



RoHS  
2002/95/EC



CLICK: [peerless-av.com](http://peerless-av.com)

CALL: 800.865.2112

FAX: 800.359.6500

peerless-AV®

<b>SS560F</b>	Flat Panel Floor Stand for up to 65" Displays
---------------	---

Product Specifications

	DIMENSIONS (W x H x D)	PRODUCT WEIGHT	LOAD CAPACITY	FINISH	AVAILABLE COLORS
<b>SS560F</b>	33.50" x 68.34" x 26.50" (851 x 1736 x 673mm)	97.6lb (44.2kg)	160lb (72.5kg)	Scratch resistant fused epoxy	Black

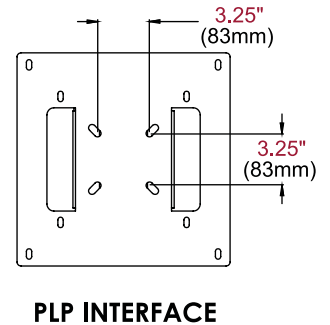
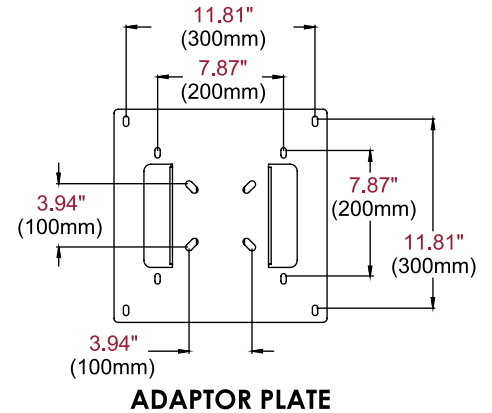
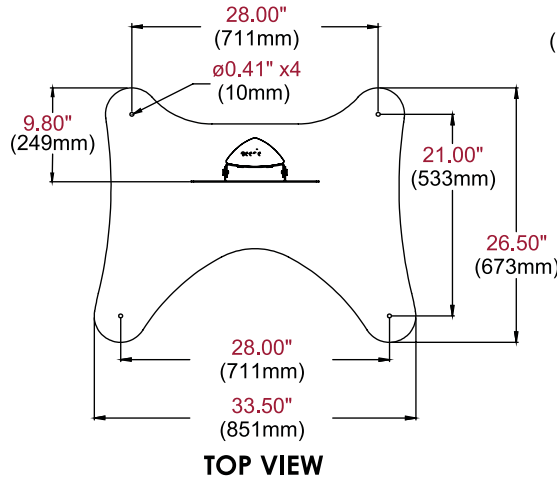
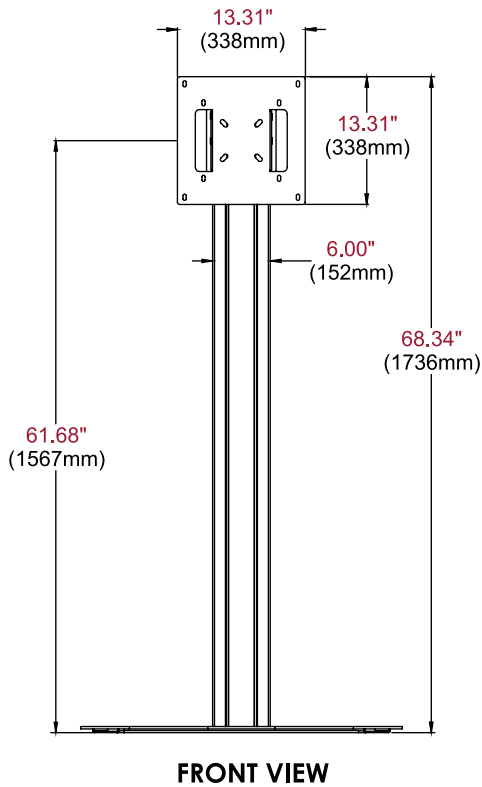
Package Specifications

	PACKAGE SIZE (W x H x D)	PACKAGE SHIP WEIGHT	PACKAGE UPC CODE	PACKAGE CONTENTS	UNITS IN PACKAGE
<b>SS560F</b>	Box 1: 37.2" x 30.5" x 9.3" (944 x 774 x 236mm)  Box 2: 73.5" x 8.5" x 4.5" (1866 x 215 x 114mm)	Box 1: 82.9lb (37.6kg)  Box 2: 18.5lb (8.4kg)	735029279853	Base plate, column, VESA® plate, mounting hardware	1

Accessories

<b>ACC313:</b>	Metal Shelf	<b>PLP-UNL:</b>	Universal Adaptor Plate
<b>ACC318:</b>	Tinted Glass Shelf	<b>ACC170:</b>	Adaptor Plate
<b>ACC319:</b>	Video Conferencing Shelf	<b>ACC314:</b>	Laptop Arm
<b>ACC961:</b>	Adaptor Plate	<b>RM1:</b>	Rotational Mount Interface

All dimensions = inch (mm)



ARCHITECTS SPECIFICATIONS

The Flat Panel Floor Stand shall be a Peerless-AV model SS560F and shall be located where indicated on the plans. It shall be constructed of heavy gauge cold rolled steel and aluminum and finished with scratch resistant black fused epoxy. Assembly and installation shall be done according to instructions provided by the manufacturer.