

SS598ML3



Mounting Pattern
Up to 800 x 600mm
(31.49" x 23.62")



Max Load
280lb
(127kg)

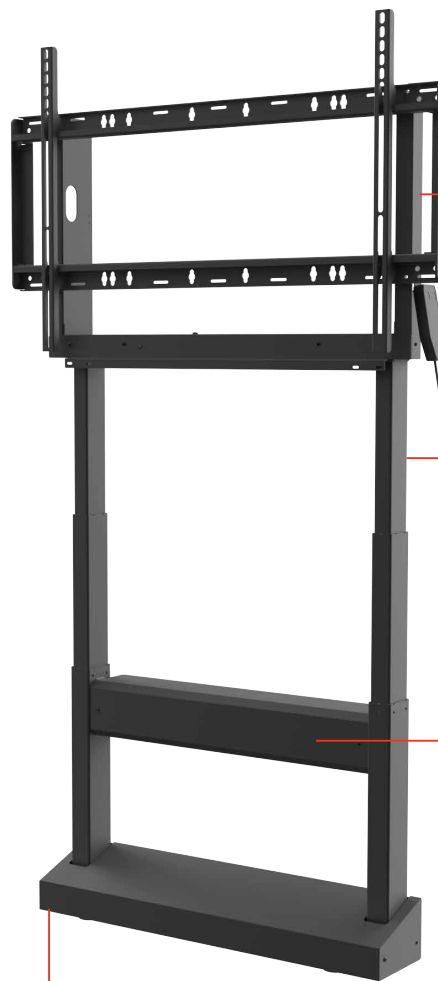
SMARTMOUNT.

Motorized Height Adjustable Stand/Wall Mount

FOR 42" TO 86" INTERACTIVE DISPLAYS

Peerless-AV's SmartMount® Motorized Height Adjustable Stand/Wall Mount was designed to safely mount, raise and lower an interactive display. UL recognized actuators allow the user to raise or lower a display, up to 25.6" (650mm), with the touch of a button. The highly stable design can rest on the floor, or be bolted directly to either the floor or wall. The rear wall plate provides access to mount a Peerless-AV® surge protector or a mini PC, and the bottom shelf provides an area to store a digital pen or eraser. This unique mounting surface allows various users the ability to comfortably interact with a display, making it an ideal solution for education settings.

- Display height can be adjusted up to 25.6" (650mm) with the touch of a button
- Display adaptor fits from 200 x 200 to 800 x 600mm mounting patterns
- Pre-assembled base provides rigidity, stability and quick assembly
- Safety limit switch automatically reverses direction and stops when a collision is detected in an upward, downward or lateral force
- Textured black powder coat finish helps hide finger prints and dust



REAR STORAGE

Provides up to 29"W x 13.5"H x 4"D storage for mini PCs, such as Dell Optiplex Micro, HP 260 G2, Lenovo M600 Tiny, or Intel NUC



VERTICAL ADJUSTMENT

Center of display is adjustable from 34"-60" from the floor

SUPPORT COVER

Hides hardware and doubles as a small shelf for digital pens and erasers

LEVELING LEGS

Allow the stand to be positioned properly, even on unlevel surfaces



Shown with Display



RoHS
2002/95/EC



Complies with the ADA Standards for Accessible Design, Section 308.

SS598ML3 SmartMount® Motorized Height Adjustable Stand/Wall Mount for 42" to 86" Interactive Displays

Product Specifications

	DIMENSIONS (W X H X D)	PRODUCT WEIGHT	LOAD CAPACITY	FINISH	AVAILABLE COLORS
SS598ML3	33.13" x 47.76"-72.42" x 6.63" (842 x 1213 - 1840 x 168mm)	100lb (45.4 kg)	280lb (127kg) Display	Textured Powder Coat	Black

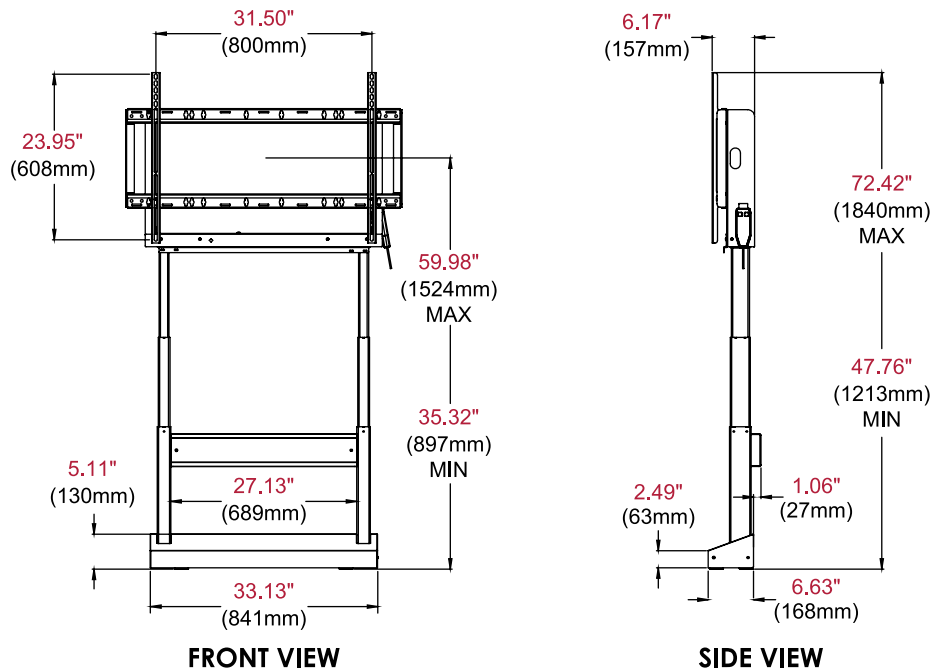
Package Specifications

	PACKAGE SIZE (W x H x D)	PACKAGE SHIP WEIGHT	PACKAGE UPC CODE	PACKAGE CONTENTS	UNITS IN PACKAGE
SS598ML3	48.00" x 10.00" x 39.00" (1219 x 254 x 991mm)	130.5lb (59.2kg)	735029329459	Assembled Base with Motorized Columns, Universal Display Adaptors, Control Box, Control Switch, Leveling Legs, Hardware & Instructions	1

Accessories

- ACC-WMVCS: Video Conferencing Shelf
- PVP1100-CPL6: 6 Outlet Surge Protector

All dimensions = inch (mm)



Architect Specifications

The SmartMount® Motorized Height Adjustable Stand/Wall Mount shall be a Peerless-AV model SS598ML3 and shall be located where indicated on the plans. Assembly and installation shall be done according to instructions provided by the manufacturer.

Visit peerless-av.com to see the complete line of AV solutions from Peerless-AV, including outdoor displays, wireless, kiosks, digital audio, display mounts, projector mounts, carts/stands, and a full assortment of accessories.

Peerless-AV
2300 White Oak Circle
Aurora, IL 60502 USA
(800) 865-2112
(630) 375-5100
Fax: (800) 359-6500

Peerless-AV EMEA
Unit 3 Watford Interchange
Colonial Way, Watford
Herts, WD24 4WP
United Kingdom
+44 (0) 1923 200100
Fax: +44 (0) 1923 200101

Peerless-AV Latin America
Ave de las Industrias 413
Parque Industrial Escobedo
Escobedo, N.L.,
Mexico 66062
+52 (81) 8384-8300
Fax: +52 (81) 8384-8360

