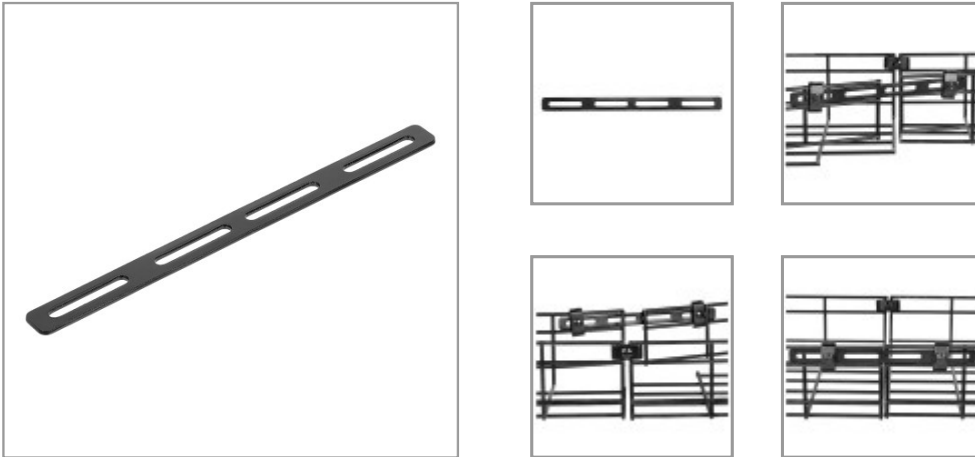


## Axis Coupler for Wire Mesh Cable Trays

MODEL NUMBER: SRWBAXISCPLR



Securely connects sections of wire mesh cable tray at an angle or helps suspend them from the ceiling of your data center.

### Features

#### Versatile Axis Coupler Helps You Create Custom Cable Management Schemes

The SmartRack® SRWBAXISCPLR is a black powder-coated metal axis coupler that comes with an M6 flange nut and M6 x 20 carriage bolt for easy installation with your wire mesh cable tray. Not only is it the ideal coupler for creating angles in your cable tray connections, allowing you to aim your cable routing in any direction you like, it also helps you secure the cable tray to the ceiling of your server room or data center (with the use of an M6 threaded rod, not included).

### Highlights

- Connects wire mesh cable tray sections at an angle along your data center's floor or wall
- Accommodates an M6 threaded rod to help secure your cable tray to the ceiling
- Allows you more flexibility in routing custom cable management applications
- Made from resilient black powder-coated metal designed to last

### Applications

- Organize a wire mesh cable tray system with intersecting sections along the wall or floor of your network closet
- Suspend a wire mesh cable tray system from the ceiling of your data center

### System Requirements

SRWB sectional pieces to bind together

### Package Includes

- Axis coupler
- M6 flange nut
- M6 x 20 carriage bolt
- Installation guide

## Specifications

| OVERVIEW                               |              |
|----------------------------------------|--------------|
| UPC Code                               | 037332248169 |
| Product Type                           | Coupler      |
| Cable Management System Component Type | Coupler      |



**Tripp Lite**  
1111 W. 35th Street  
Chicago, IL 60609 USA  
Telephone: 773.869.1234  
[www.tripplite.com](http://www.tripplite.com)

| <b>PHYSICAL</b>                     |                         |
|-------------------------------------|-------------------------|
| Color                               | Black                   |
| Shipping Dimensions (hwd / in.)     | 5.91 x 5.12 x 1.57      |
| Shipping Weight (kg)                | 0.14                    |
| Unit Dimensions (hwd / cm)          | 0.889 x 5.8928 x 4.3942 |
| Unit Dimensions (hwd / in.)         | 0.350 x 2.320 x 1.730   |
| Unit Weight (kg)                    | 0.09                    |
| Unit Weight (lbs.)                  | 0.198                   |
| <b>WARRANTY</b>                     |                         |
| Product Warranty Period (Worldwide) | 5-year limited warranty |

© 2020 Tripp Lite. All rights reserved. All product and company names are trademarks or registered trademarks of their respective holders. Use of them does not imply any affiliation with or endorsement by them. Tripp Lite has a policy of continuous improvement. Specifications are subject to change without notice.

Tripp Lite uses primary and third-party agencies to test its products for compliance with standards. See a list of Tripp Lite's testing agencies:

<https://www.tripplite.com/products/product-certification-agencies>