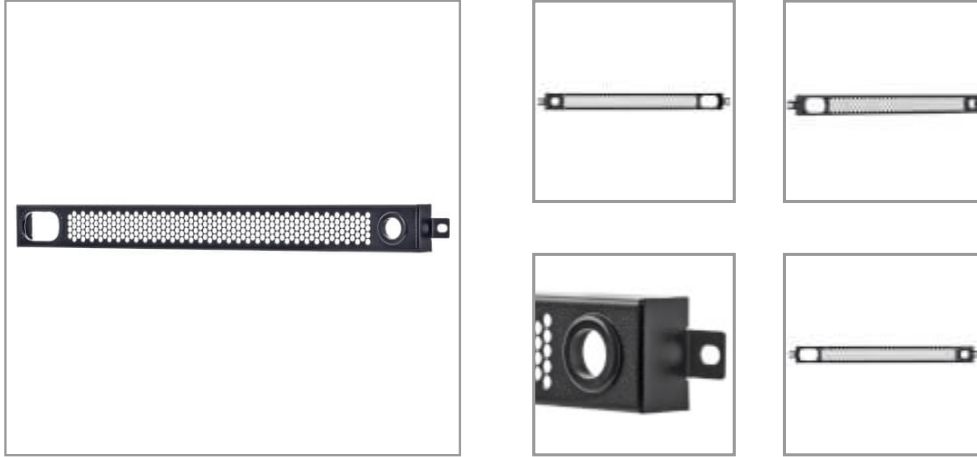


Fixed Standoff Security Cage for Rack Equipment, 1U, Rear

MODEL NUMBER: SR1UCAGEREAR



Locking security cage protects rack equipment and cabling against damage, tampering, theft and unauthorized access.

Features

1U Rear Rack Accessory Helps Secure Essential Rack-Mounted Equipment

This SmartRack® security panel installs on the back of your EIA-standard 19-inch rack cabinet or 2- or 4-post open frame rack to keep your connected equipment, cabling and accessories safe. Made from cold-rolled steel with a durable black powder-coated finish, the SR1UCAGEREAR helps protect your equipment against damage, tampering, theft or other unauthorized access. This security cage is essential for racks located in shared spaces or areas with public access.

Easy to Install over Existing Rack Equipment with Included Hardware

Ideal for data centers, wiring closets, back offices or anywhere else with rack-mount equipment, the SR1UCAGEREAR comes with necessary tamper-proof mounting hardware. Cable access ports on either end allow convenient cable entry and exit. The cage's perforated design allows constant airflow to help keep equipment cool and lets you monitor equipment without opening the cage.

Specifications

OVERVIEW	
UPC Code	037332262851
Accessory Type	Security Accessories
Accessory Class	Rack Accessories
PHYSICAL	
Unit Dimensions (hwd / in.)	18.86 x 1.67 x 1.08
Unit Dimensions (hwd / cm)	47.90 x 4.24 x 2.74
Unit Weight (lbs.)	0.410

Highlights

Access ports on either end allow convenient cable entry and exit
 Heavy-duty steel construction designed to hold up in busy IT environments
 Perforated design allows airflow to equipment and visual monitoring of equipment
 Easy to install over existing rack equipment with included mounting hardware
 Recommended for racks located in shared spaces or areas with public access

Package Includes

1U Cage
 M6 security screws
 Lock washers
 Cage nuts
 Security bit
 Owner's manual



Tripp Lite
1111 W. 35th Street
Chicago, IL 60609 USA
Telephone: 773.869.1234
www.tripplite.com

Unit Weight (kg)	0.19
WARRANTY	
Product Warranty Period (Worldwide)	5-year limited warranty

© 2022 Tripp Lite. All rights reserved. All product and company names are trademarks or registered trademarks of their respective holders. Use of them does not imply any affiliation with or endorsement by them. Tripp Lite has a policy of continuous improvement. Specifications are subject to change without notice.

Tripp Lite uses primary and third-party agencies to test its products for compliance with standards. See a list of Tripp Lite's testing agencies:

<https://www.tripplite.com/products/product-certification-agencies>