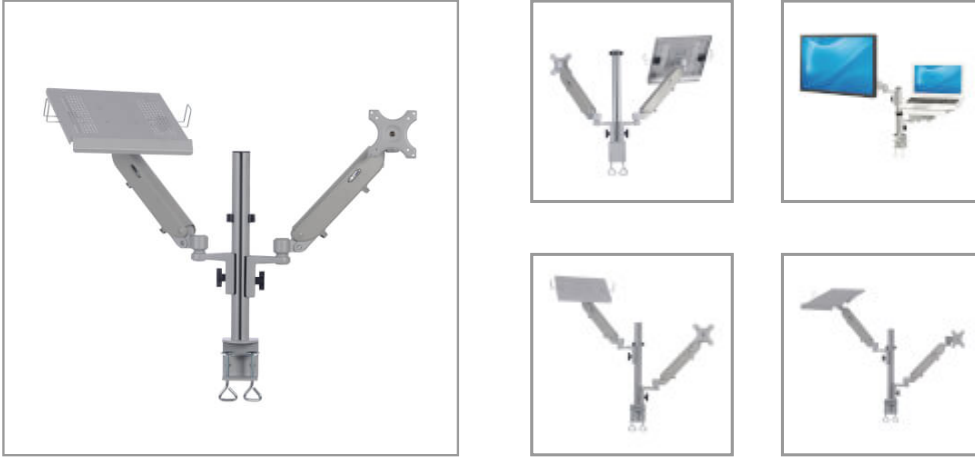


Full-Motion Desktop Clamp for Laptop and 17" to 32" Monitor, Aluminum, TAA

MODEL NUMBER: DDR1732NBMTAA



Aluminum desk clamp mounts your monitor and laptop at a comfortable height to free up valuable space on your desk or work area.

Features

Aluminum Desk Clamp Lifts Your Monitor and Laptop Above Your Work Surface

Recommended for home or office use, this VESA-compliant desktop clamp mounts a flat-screen monitor and a laptop above your desk, table or workstation, allowing you to free up valuable surface space. The clamp is compatible with flat surfaces up to 2.75 inches (7 centimeters) thick and supports a maximum weight of 12.2 pounds (5.5 kilograms). All hardware is included. Cable management brackets along the arms prevent excess cord clutter.

Swivel, Tilt and Rotate the Screen to Find the Most Comfortable Viewing Angles

The durable aluminum frame tolerates frequent adjustments to help you find the perfect viewing angle. The flex arm adjusts independently to optimize viewing angles, minimize glare and improve ergonomics. It fits most flat-panel monitors from 17 to 32 inches. Easy screen adjustment lets you quickly find just the right angle without interrupting your workday.

Set Your Laptop at a Height That Works for You

The aluminum laptop tray features clamps on either side to hold your computer securely in place. The tray surface is vented to help keep your laptop (up to 15 inches) cool and prevent overheating.

VESA-Compliant Mounting Ensures Display Compatibility

VESA (Video Electronics Standards Association) promotes uniformity in the video electronics industry by developing standards for TVs and monitors. For hassle-free display compatibility, this monitor stand supports the following VESA mounting hole patterns: 75 x 75 and 100 x 100.

TAA-Compliant for GSA Schedule Purchases

The DDR1732NBMTAA is compliant with the Federal Trade Agreements Act (TAA), which makes it eligible for GSA (General Services Administration) Schedule and other federal procurement contracts.

Specifications

OVERVIEW

Highlights

- Sturdy aluminum frame clamps securely to your desk for mounting your display
- Full-motion arms move smoothly to help you customize the ideal viewing angle
- Vented aluminum laptop tray helps keep your computer cool and prevent overheating
- VESA compliance ensures compatibility with 75 x 75 and 100 x 100 mounting patterns
- Compliant with the Federal Trade Agreements Act (TAA) for GSA Schedule purchases

System Requirements

- Flat-screen monitors from 17 to 32 in.
- Laptops up to 15 in.
- Minimum weight capacity: 5.5 lb.; maximum 12.2 lb.

Package Includes

- DDR1732NBMTAA Single-Display Full-Motion Desktop Clamp
- Assembly hardware
- Owner's manual

UPC Code	037332279682
Device Compatibility	Laptop; Monitor/HDTV
PHYSICAL	
Color	Silver
Material of Construction	Steel
VESA Pattern (mm)	75x75; 100x100
Motion	Full
Mounting Location	Desk Clamp
Degrees of Motion	180 Swivel; 360 Rotate
Laptop Display Size (cm)	12.7 - 38.1
Laptop Display Size (in.)	5 - 15
Minimum Screen Size (in.)	17
Minimum Screen Size (cm)	43.18
Maximum Screen Size (in.)	32
Maximum Screen Size (cm)	81.28
Maximum Weight Capacity (lbs.)	12.2
Maximum Weight Capacity (kg)	6
Number of Displays	1
Shipping Dimensions (hwd / in.)	6.57 x 13.20 x 25.60
Shipping Dimensions (hwd / cm)	16.69 x 33.53 x 65.02
Shipping Weight (lbs.)	24.20
Shipping Weight (kg)	10.98
Unit Dimensions (hwd / in.)	24.800 x 15.750 x 23.350
Unit Dimensions (hwd / cm)	24.8 x 15.75 x 23.35
Unit Weight (lbs.)	20.240
Unit Weight (kg)	9.18
Assembly Required	No
FEATURES & SPECIFICATIONS	
Cord Management	Yes
Tools Necessary	Yes
Security Lock	No
STANDARDS & COMPLIANCE	
Product Compliance	REACH; RoHS3; Trade Agreements Act (TAA)

WARRANTY & SUPPORT

Product Warranty Period (Worldwide)	5-year limited warranty
--	-------------------------