

# M631 Adjustable Mobil Cart With Metal Shelf

For Montitors Up To 150 lbs

## Best In Class Mobil Cart Mounting Solution

- Universal design
- VESA compatible
- Continuous vertical position adjustment for perfect viewing height
- Pin-locking incremental tilt adjustment
- Heavy-duty rubber casters for smooth mobility
- Metal component shelves easily attach after display is installed
- Integrated cable management for clean look
- Pre-sorted hardware pack for easy installation



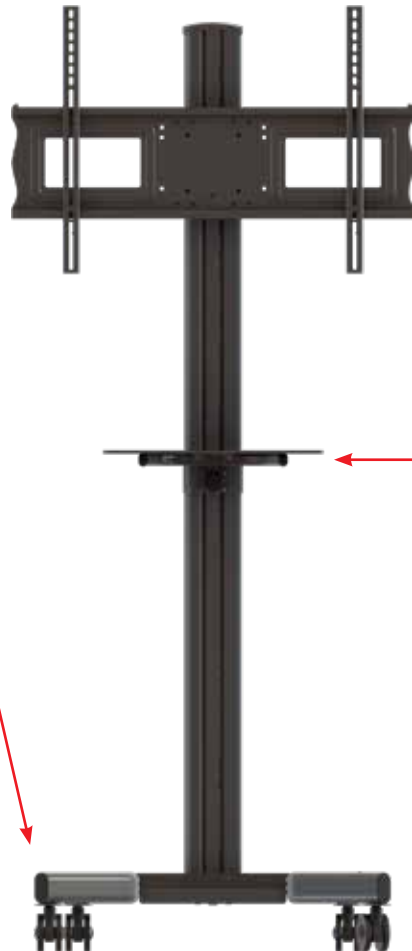
Model	Display Size	VESA	Max Height	Max Load
M631	37" - 70"	723x501mm	70.75"	150lb



### HEAVY DUTY CASTERS & CABLE MANAGEMENT

#### Rubber Casters for Smooth Mobility

Heavy duty rubber casters provide for soomth mobility even when at full weight capacity, while an integrated cable management system provides for a clean look.



### CONTINUOUS TILT

#### +15/-5 Degree Tilt

The mounting plate has continuous tilt of up +15/-5 degree for ideal display placement.



### SHELVING ACCESSORY

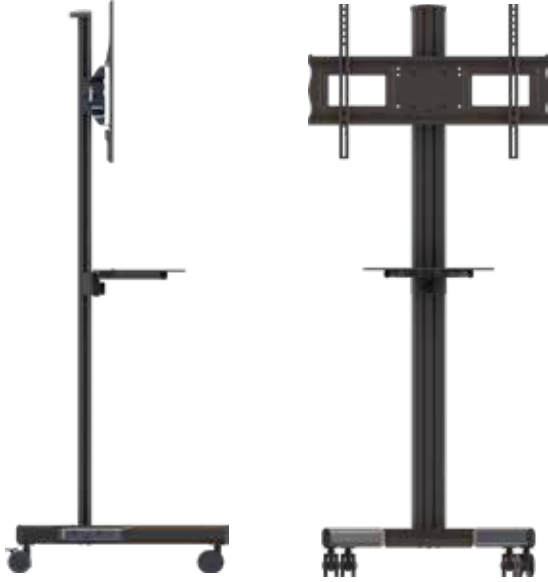
#### Adjustable Tempered Metal Shelf

Designed with A metal (MSM) attachable shelf the M631 can support up to 50lbs of additional components.

# M631 Adjustable Hight & Tilt Mobil Cart

1-866-MOUNT-TV  
www.crimsonav.com

Universal design for 37" - 70"+ displays  
Metal shelf included



Attribute	Value
Display size range	37" - 70"
Weight capacity	150lb (54kg) per display
Max mounting pattern	723 x 501mm
Orientation	landscape or portrait
Tilt	+15°/-5°
Depth from wall	2.90" (74.50mm)
Max display height	70.75"
Lateral adjustment	6° (lockable)
Construction	high-grade cold rolled steel
Product finish	scratch resistant epoxy powder coat
Color	black
Model number	M631
Warranty	Limtied lifetime

Universal design and heavy duty construction makes this cart ideal for Plasma, LCD or displays weighing up to 150 lb. Comes with heavy duty rubber casters for smooth mobility. Fits through standard door openings. Fully adjustable tilt and display height position. Vertically adjustable tempered glass or metal shelf can be easily installed or removed without removing display.

