

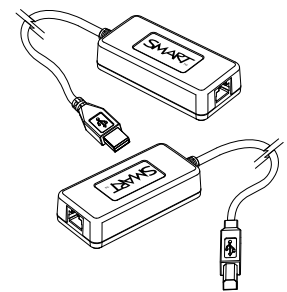
Specifications

CAT 5 USB extender

Model CAT5-XT-1100

Physical specifications

Size (one extender)	13" L × 1 5/8" W × 7/8" D (33 cm × 4 cm × 2.3 cm)
Weight	3 3/8 oz. (95 g)
Shipping size	5" L × 5" W × 2 3/8" D (12.7 cm × 12.7 cm × 6 cm)
Shipping weight	6 oz. (170 g)



Standard features

Maximum extension	Up to 130' (40 m)
USB device support	Full-speed (12 Mbps) USB 1.1 device
USB hub support	Can support up to two externally powered USB hubs connected in series with the Cat 5 USB extender. Each hub reduces the maximum extension by 40' (12 m).
Maximum power output	175 mA when the LEX is supplied with 500 mA (USB bus powered)
Required cable	You must supply a Cat 5, Cat 5e or Cat 6 cable (Cat 5e ScTP ground-shielded cable is recommended) to connect the REX and the LEX. It must not exceed 130' (40 m), but may be less depending on the number of hubs connected. Use plenum rated cable if required.

Extraordinary made simple™

SMART™

SPECIFICATIONS

CAT 5 USB extender – Model CAT5-XT-1100

IMPORTANT

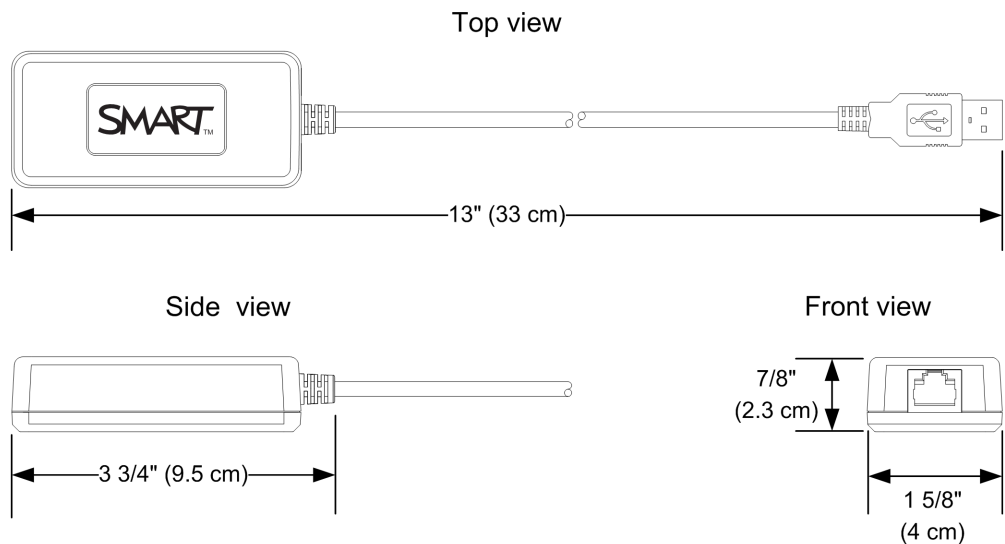
You can install an externally powered USB hub to the USB A plug on the REX, and then connect a USB cable from the hub to the next USB device.

LEX (local)	One USB-A plug, one RJ45 jack
REX (remote)	One USB-B plug, one RJ45 jack
Operating temperature	32°F to 122°F (0°C to 50°C)
Environmental compliance	China EIP, EU RoHS and WEEE
Regulatory certifications	CE and FCC
Warranty	One-year limited equipment warranty

SMART order number

CAT5-XT-1100 Cat 5 USB extender

Physical dimensions



SPECIFICATIONS

CAT 5 USB extender – Model CAT5-XT-1100

smarttech.com/support

smarttech.com/contactsupport

© 2012 SMART Technologies ULC. All rights reserved. SMART Board, smarttech, the SMART logo and all SMART taglines are trademarks or registered trademarks of SMART Technologies ULC in the U.S. and/or other countries. All third-party product and company names may be trademarks of their respective owners. Patents pending. Contents are subject to change without notice. 01/2012.