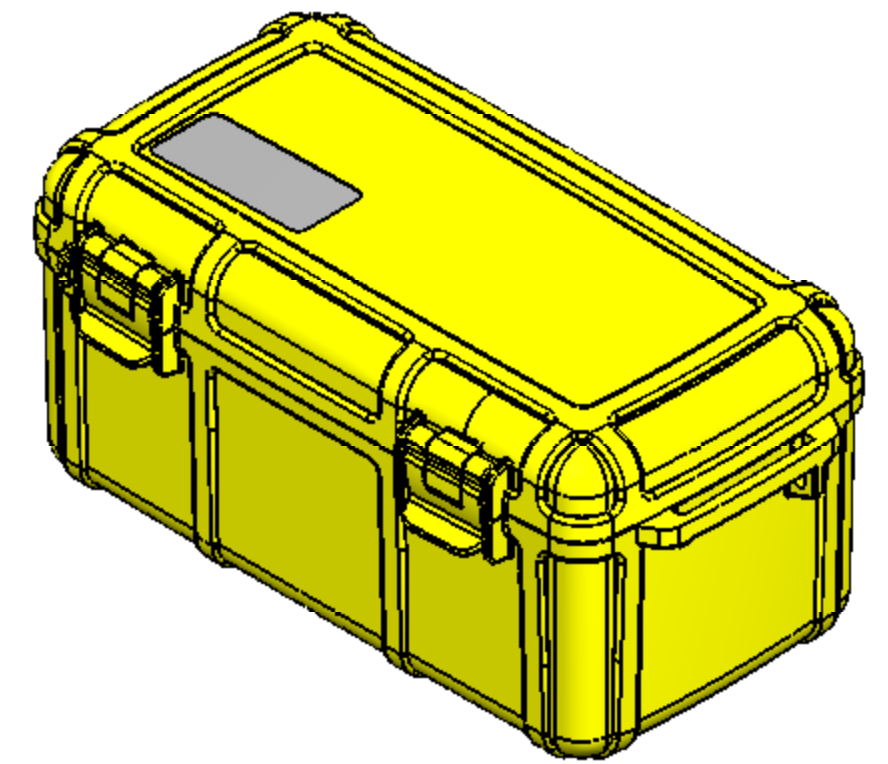
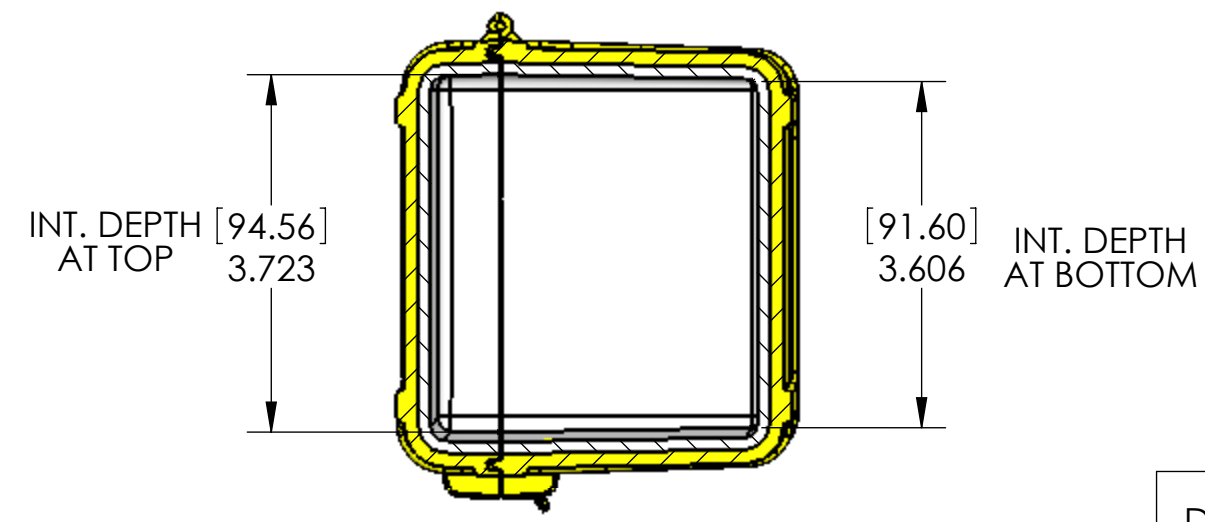
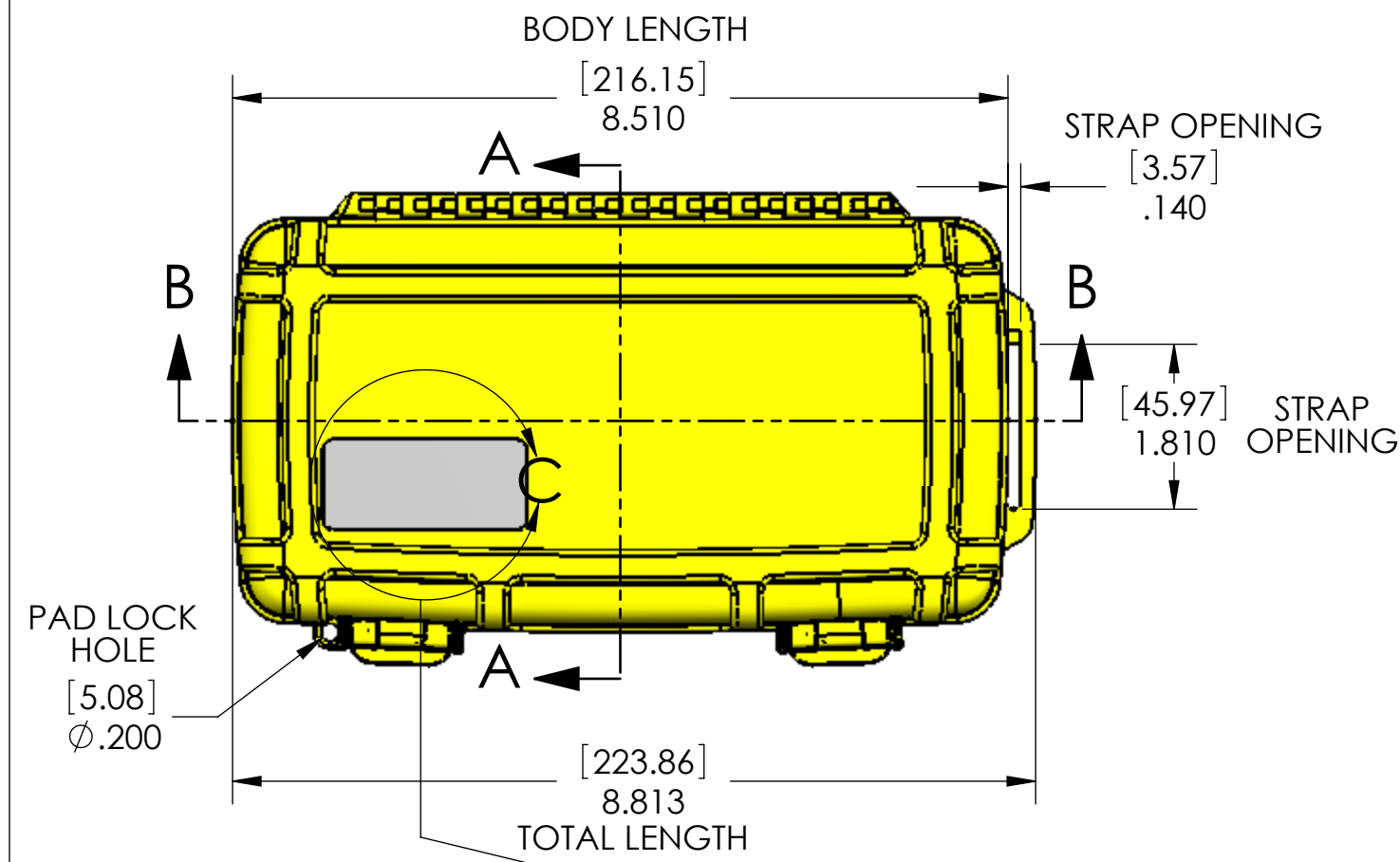
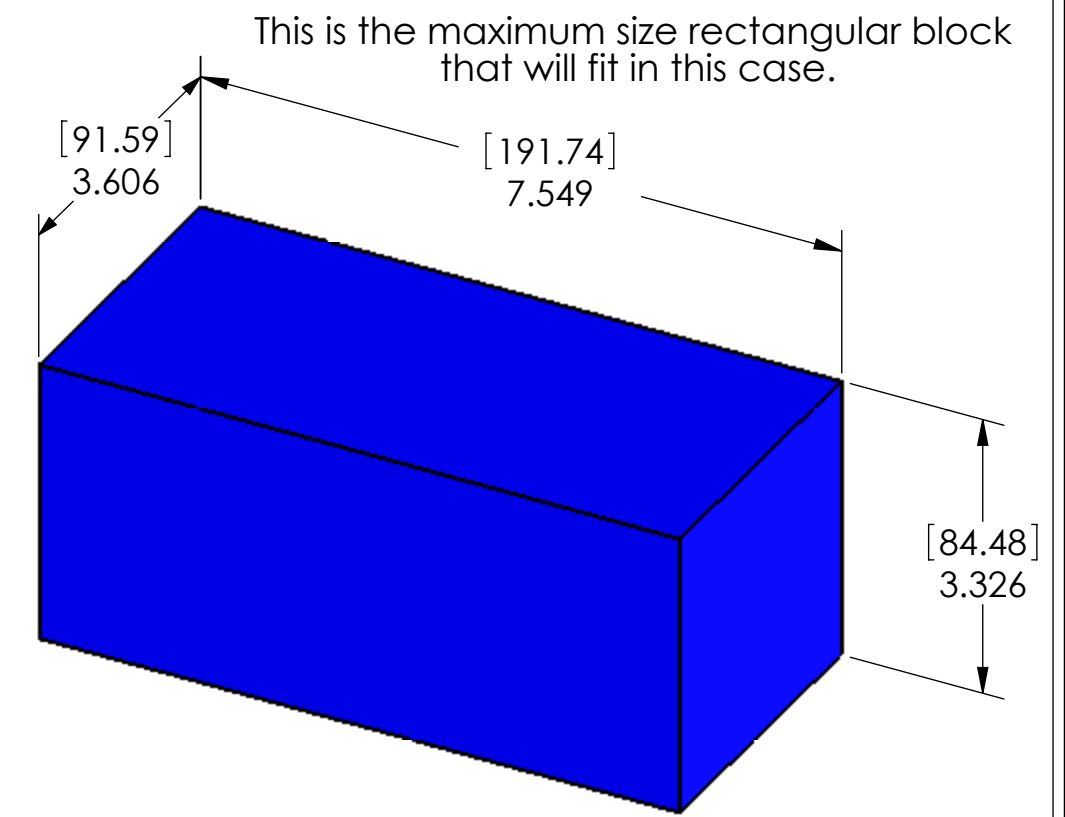
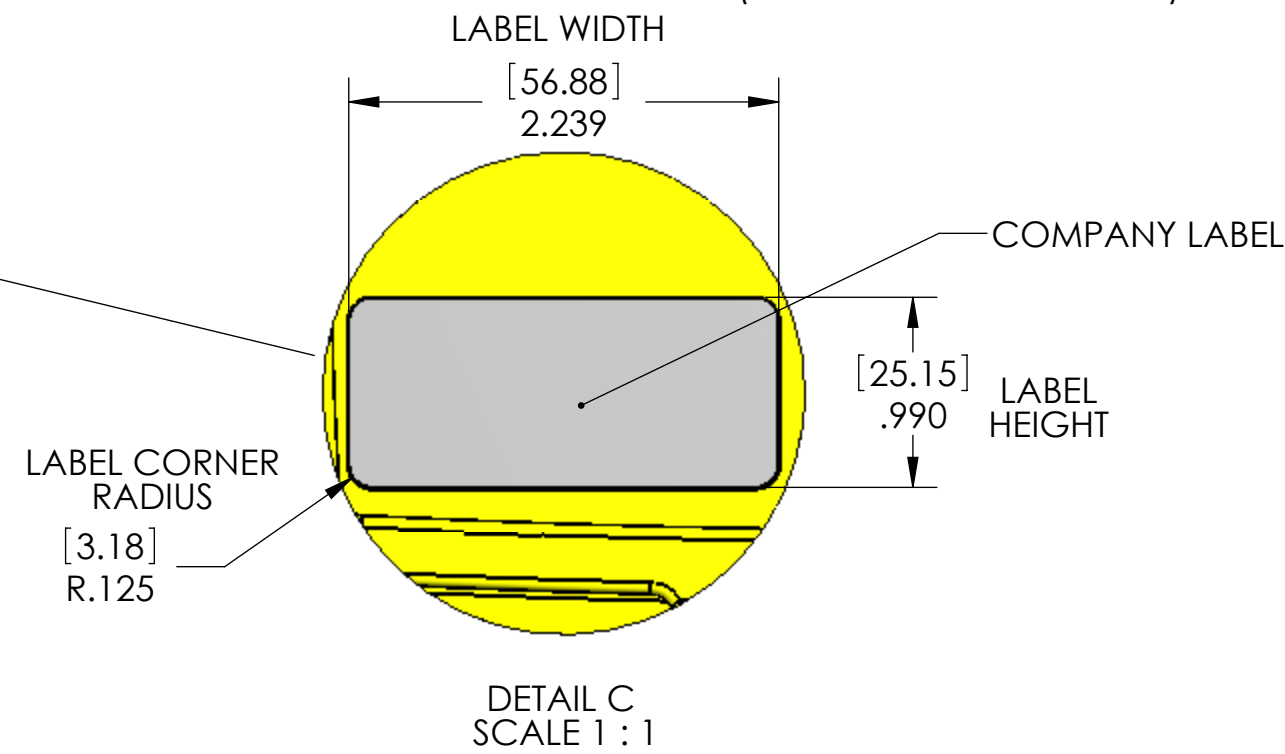
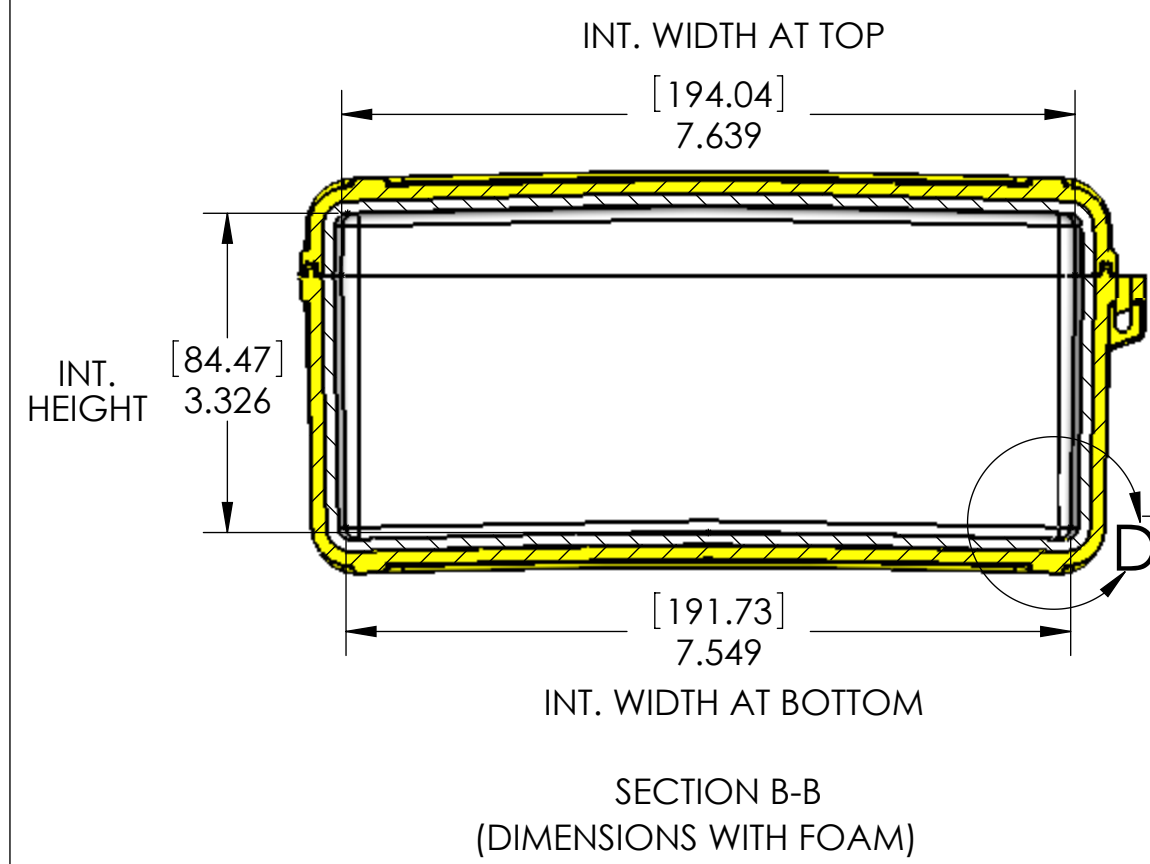


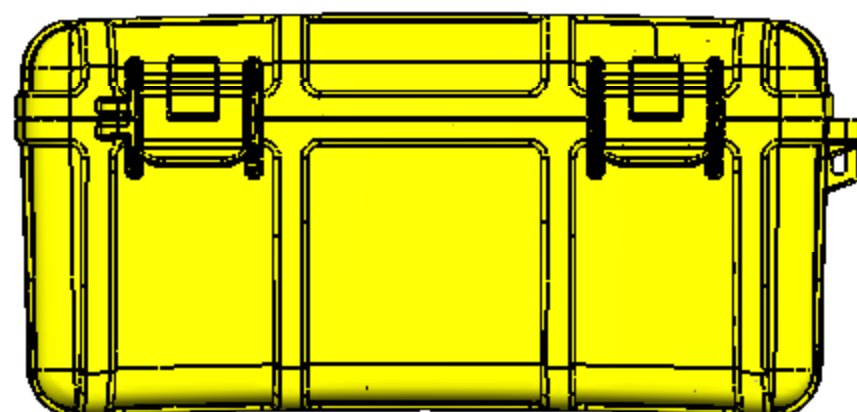
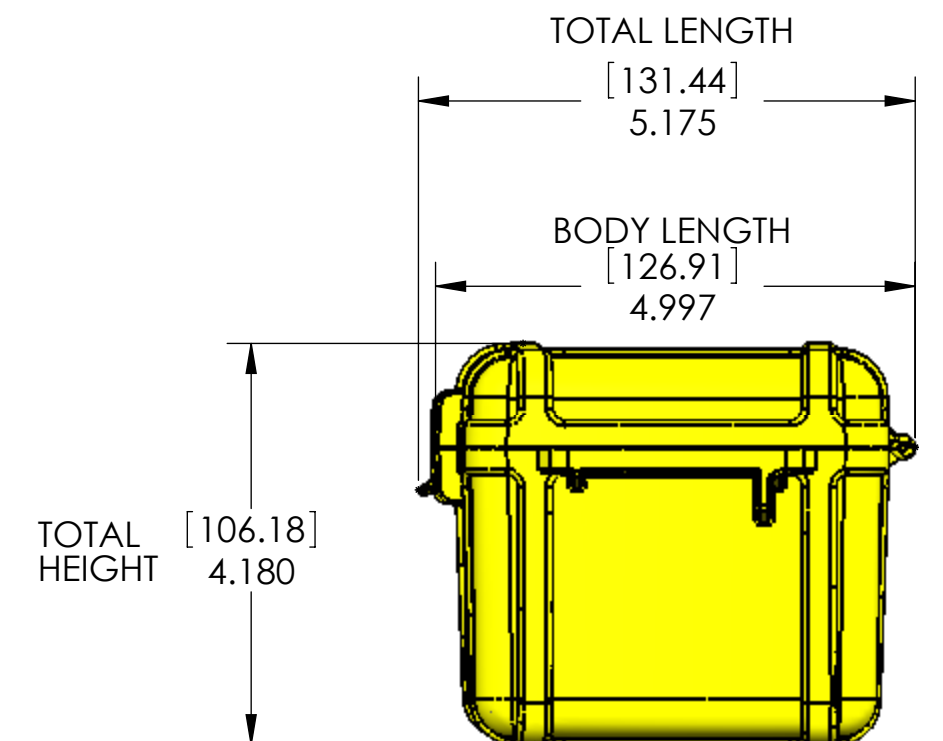
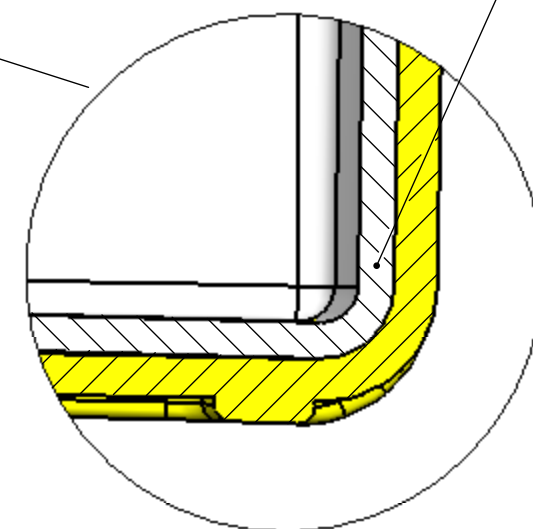
REV	CO#	DESCRIPTION	DRAWN BY	DATE	CHK'D BY	DATE
A	000	INITIAL RELEASE	TDB	6.1.07	JLJ	6.1.07



DIMENSIONS:
[MILLIMETERS]
INCHES



1/8" INTERIOR FOAM LINING
(WILL CRUSH TO HALF ITS THICKNESS)



PROPERTY OF OTTER PRODUCTS LLC.
NO REPRODUCTION WITHOUT WRITTEN PERMISSION
1 OLD TOWN SQ. STE # 303, FORT COLLINS, CO, 80524
PH 970-490-2777 FAX: 970-490-2888 E-MAIL info@otterbox.com

PRODUCT CODE	COLOR
3500-01	CLEAR
3500-05	YELLOW
3500-14	BLUE
3500-20	BLACK

TITLE: 3500 SERIES		SHT # 1 OF 1		DRAWN BY/DATE TDB/6-1-07	
MAT'L: ABS		SCALE 1:2		APPROVED BY/DATE JLJ/6.1.07	
FINISH: -		SIZE C		ITEM NUMBER 3500	
		TOLERANCES IN [mm]			
		XX ± 1° .XX ± .01			
		.X ± .05 .XXX ± .005			