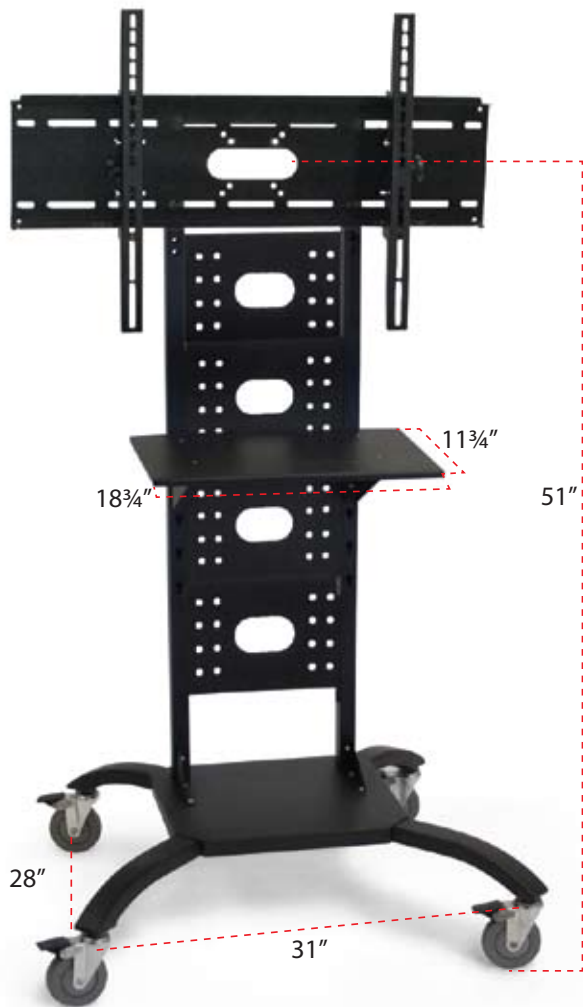




# Mobile Plasma Stand With Accessory Shelf



## WPSMS51 Mobile Flat Panel Stand

- Four 4" lockable casters.
- Holds 32" to 50" Flat Panel TV's.
- WFST Mount hooks onto mounting plate.
- Single shelf is included for DVD player.
- Stylish, curved metal legs.
- Integrated wire management.
- Black powdercoat paint finish.
- Perforated back panels.

## Includes The H. Wilson UNIVERSAL Flat Panel Mount WFST

- Fits Screens with mounting hole patterns up to 29" Wide and 19.80" High
- Universal glide bracket design easily hooks onto wall plate and ensures screen is securely attached.
- Smooth continuous touch tilt.
- Durable all steel construction. Black powder coat finish.
- Allows up to 15 (+ -) Degrees of adjustment.
- Hex drive hardware security fasteners.
- Flat Panel to Mount hardware included.

 **camcor, inc.**<sup>®</sup>

PO Box 1899 • Burlington, NC 27216-1899

336-228-0251 • 800-868-2462

[www.camcor.com](http://www.camcor.com)

