



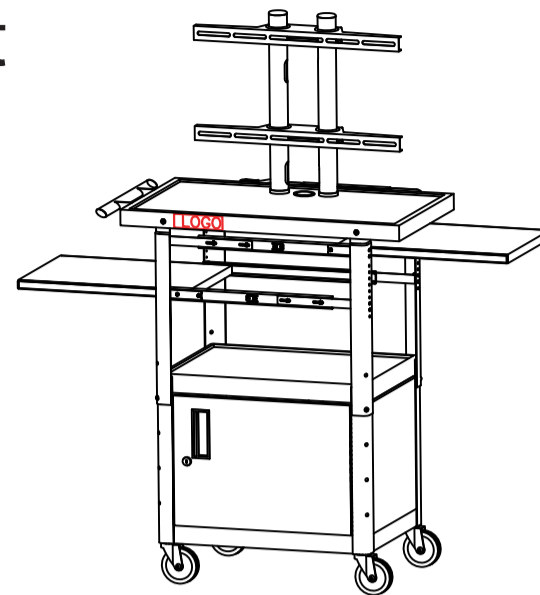
# Instruction sheet -- Buhl Flat panel TV cart

Model number: PLCAB4226E

Congratulations for having chosen this excellent Buhl product.

To assure your complete satisfaction, this product is warranted against defect in manufacture for one year after the purchase date. Any parts requiring replacement during the 1--year period, under normal use and service, as a result of defective workmanship, will be replaced by Buhl or by an authorized Buhl dealer, without cost, except for transportation charges. All unit should be returned in original packing, to guarantee safe transport. Buhl is not responsible for damage in shipment.

**Note:** This unit is easier to assemble with two people.



PLCAB4226E with handle

## Parts list

### Qty. Description

- 1 Top shelf
- 4 Top legs
- 1 Bottom shelf section
- 2 Poles for supporting flat panel TV
- 2 Horizontal mount
- 1 Electrical bracket
- 1 Power cord
- 3 Screws and hex nuts(E)
- 1 Cart handle (Optional)

### Qty. Description

- 9 Set Phillips head bolt, washer and hex nut(I)
- 8 Set Screw and serrated nut (K)
- 2 Casters with brakes
- 2 Casters without brakes
- 2 Security screws for mounting the poles (F)
- 2 Security screw (G)
- 2 Hex head screw (H)
- 2 Set Pull out shelf



Pole



Horizontal mount

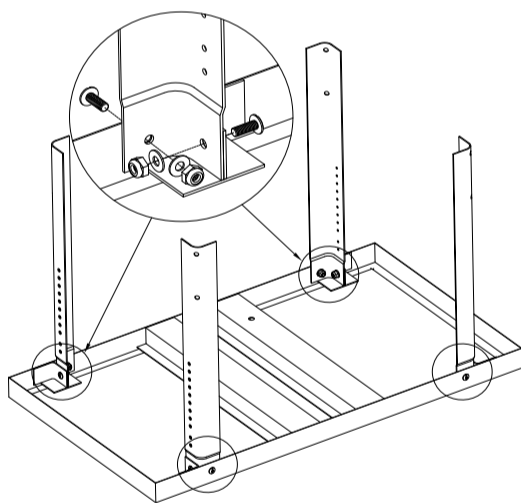
## Screw table

Some screws may have already been screwed on the related parts.

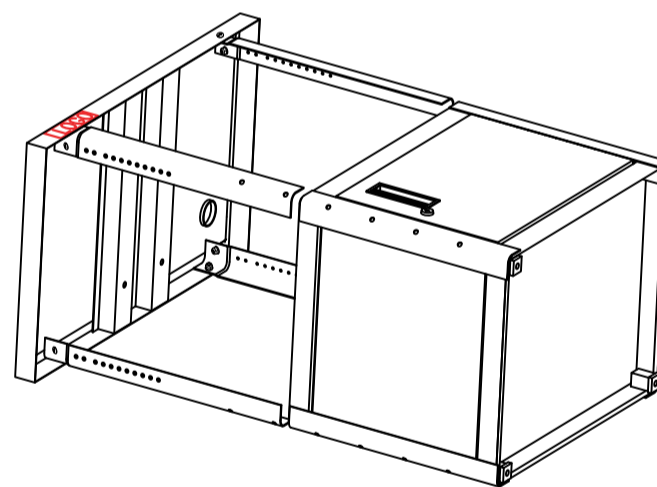
A		M4 x 12	G		M10 x 20
B		M5 x 12	On the top horizontal mount		
C		M6 x 12	H		M10 x 20
D		M8 x 16	On the bottom horizontal mount		
E		M5 x 45	I		M6 x 16
F		M8 x 20	J		M4 x 12
		On the pole	On the pull out shelf		
			K		M6 x 12

### Tools required

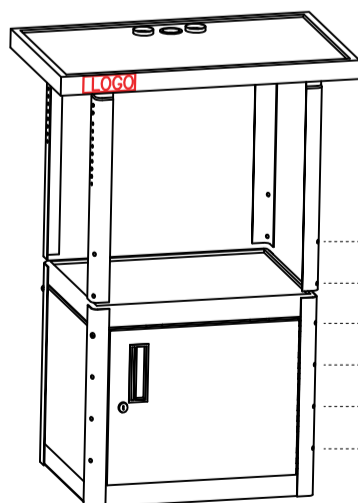
- L key (provided)
- Adjustable wrench/pliers
- Rubber mallet



- 1.** Insert top legs onto top shelf. Tighten top legs with screws, washer and nuts (see screw table K) as shown.

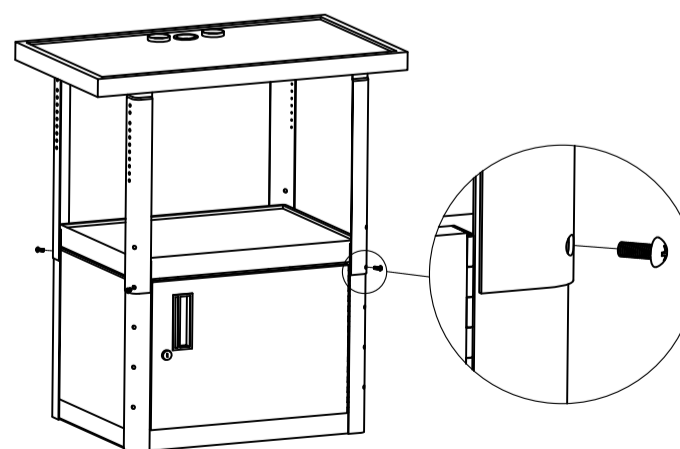


- 2.** Insert top table section onto bottom section.



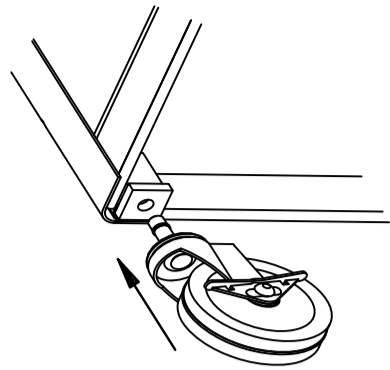
Desired Unit Height	Use These Corresponding Holes
26"	1&D
30"	1&C or 2&D
34"	1&B or 2&C
38"	1&A or 2&B
42"	2&A

- 3.** Align corresponding holes of unit to obtain desired height of table as needed.

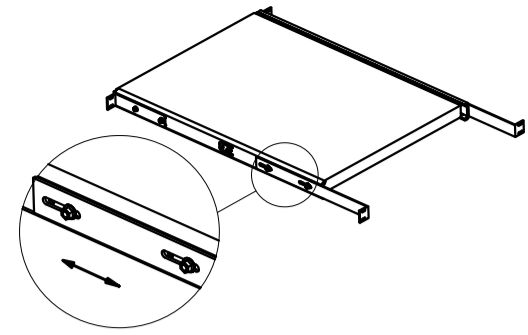


- 4.** Insert two bolts, washer and nuts (see screw table I) into each leg of table. Washer should be on the inside of leg. Tighten all bolts and nuts.

( Instructions continued on next page )

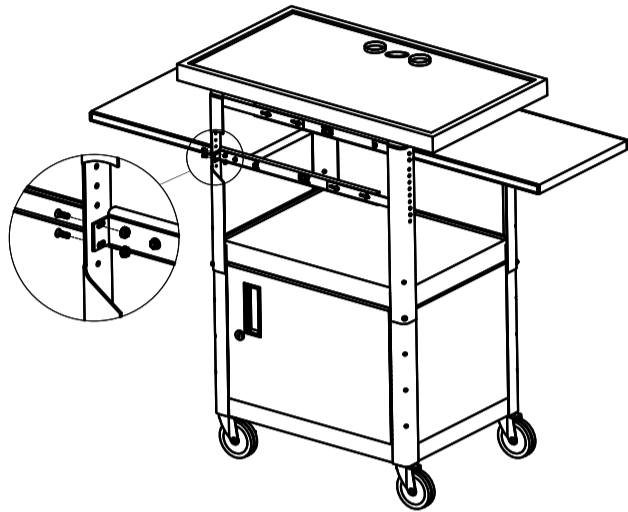


**5.**  
Lay unit on floor . Insert casters with brakes into opposite corner holes in the bottom of the unit. Insert other casters into remaining holes of unit.



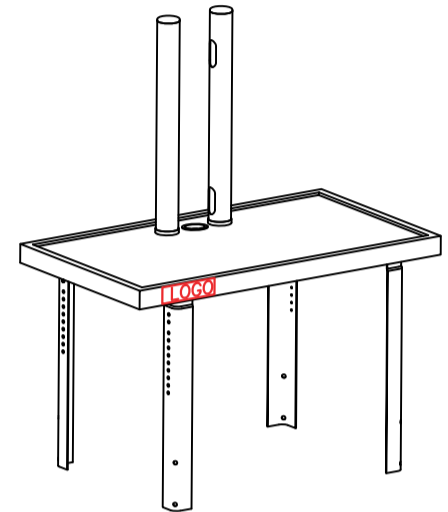
**6. pull out shelf assembly instruction**

**A.** Due to limited packaging space, pull-out shelf was shortened. Adjust the pull-out shelf out to the maximum inside width of the cart inside as the pull-out shelf will be installed inside of the legs.

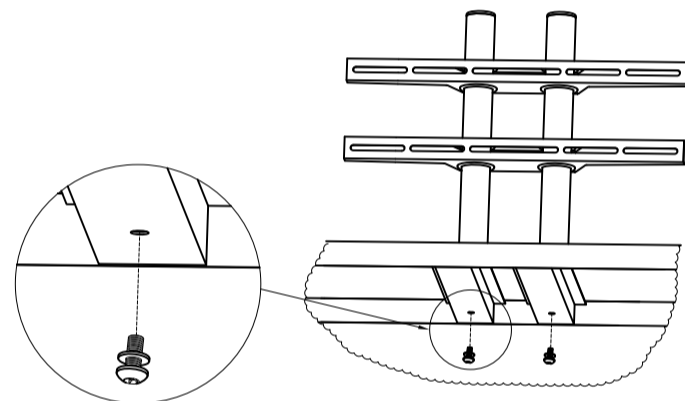
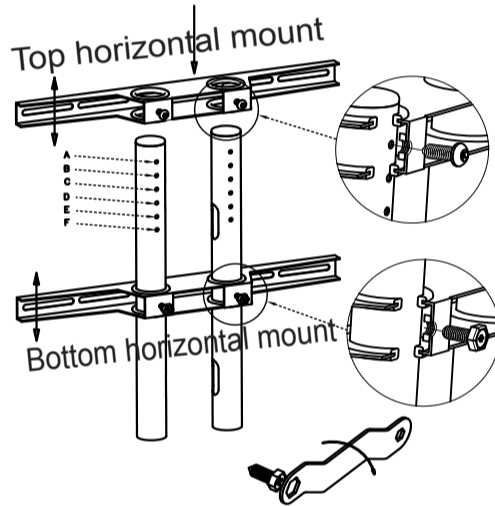


**B.**  
Tighten the pull out shelf onto leg on both side as shown.

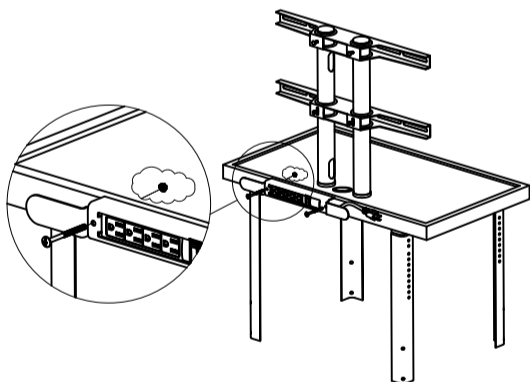
**7.**  
Insert the two supporting poles onto the holes on top shelf. Wire holes can face inside or outside.



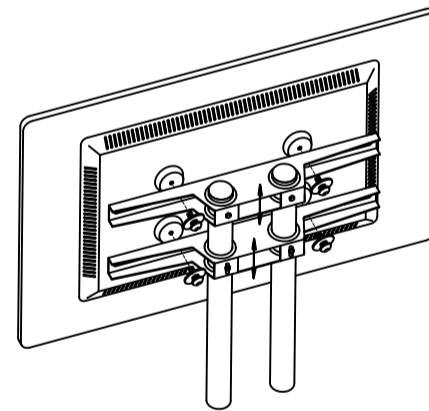
**8.**  
Insert the two horizontal mounts onto the supporting poles. Note: The mount with adjustable screw(see screw table H) should go on the bottom. Screw (see screw table G) the top mount to desired height from A to F. Adjust the bottom mount height according to the TV screw position as shown.



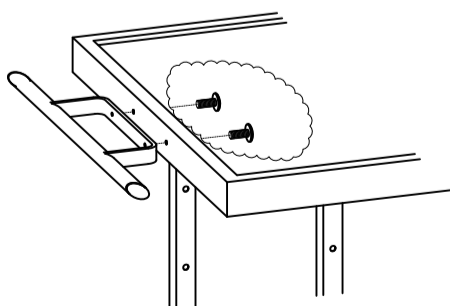
**9.**  
Tighten the two supporting poles onto the top shelf with two security screws (see screw table F) as shown.



**10. Electrical bracket assembly instruction**  
A. Push power cord into cord winder bracket.  
B. Attach electrical bracket to back side of top shelf with two nuts and bolts(see screw table E). Tighten nuts and bolts securely. Wrap power cord around wings of the bracket.



**11.**  
Use the appropriate security screws needed (M4, M5, M6 or M8, see screw table A,B,C or D) to fasten the flat panel TV onto the horizontal mounts as shown.



**12. Handle assembly Instruction ( Optional )**  
A. Unscrew the screws from the handle.  
B. Attach the handle to the top shelf (either side) and tighten handle to the shelf with screws from the inside under the shelf as shown.

