



# ReTract<sup>TM</sup> Plus

## Premium Wall Mount Projector Screen



**Attention To Every Detail.** Screens are all about details. They must be made by hand using the latest in high precision equipment to guarantee uniformity. From white gloves to caliper level testing to ensure quality, all RecordexUSA screens must pass rigorous testing. Our factory is fully ISO 9001:2000 certified to guarantee our testing is exact and complete on every screen that we make.

**Built Tough.** Made for the rigors of classrooms and boardrooms, our ReTract<sup>TM</sup> Plus manual wall screens offers unprecedented value.

**Four Perfect Borders Standard.** We believe border framing a screen is a must, not an option. All Retracts come standard with our 4-side light absorbing matte black border.

**MaxFlat<sup>TM</sup> Design, Unparalleled Viewing Experience.** Manufactured using our exclusive MaxFlat process, our surfaces are designed to eliminate the surface anomalies of yesteryear's screens.

**Many Size & Ratios, Even The New 16:10 format.** From intimate to show-stopping sizes in your choice of 1:1, 4:3, and now 16:10. Retract's are ready for virtually any installation.

**Ultra3 Matte White Surface.** Our ReTract<sup>TM</sup>Plus Screens utilize our Ultra3 Matte White surface finish that offers up to 1.1 gain and 160 degree viewing angle. They are the perfect classroom companions providing excellent display qualities for virtually any video source. And its easy to clean for long term use.

**Durability Meets Beauty.** The ReTract<sup>TM</sup> Plus was built to meet the rigorous demands of the school or training environment. Optimized for HD sources, the ReTract offers a beautiful surface for today's visual learning.

**Convenient Wall or Ceiling Mount Design.** Our flexible mounting system allow for easy installation whether you are planning to mount your ReTract<sup>TM</sup> Plus screen from the ceiling or the wall. We also carry a range of mounting brackets for away-from-wall installations.



**Committed to Providing a Greener Future For Our Children.** All RecordexUSA screens are manufactured in compliance with RoHS Directive 2002/95/EC (Restriction Of the use of certain Hazardous Substances in electronic equipment). This compliance helps to ensure a healthier and greener environment for all our children.

**The Best Warranty in The Industry.** Triple what most others provide, our three-year warranty on ReTract<sup>TM</sup> Plus Manual Wall Screens backs up our commitment to quality with extra peace of mind at no extra charge. Educators will love to hear that we offer a special 5-year classroom warranty!



**Recordex USA, Inc.**  
10-50 46th Avenue  
Long Island City, NY 11101  
[www.recordexusa.com](http://www.recordexusa.com)

# ReTract Plus<sup>TM</sup>

Premium Wall Mount Projector Screen



Hexagonal Housing



Square Housing

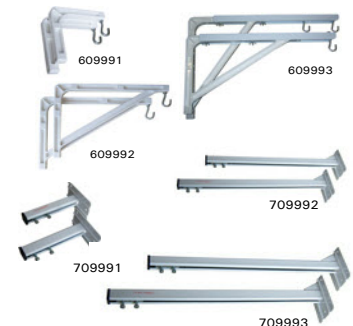
## Specifications

Recordex SKU	Screen Format	Nominal Diagonal	Screen Area	Surface	Screen Return Type (Standard or RSR)	Housing Dimensions	Screen Weight	Shipping Weight
101070	Square (1:1)	70"	50" x 50"	Ultra3 Matte White	Standard	54.2"(L), 2.48"(Diam)	9	11
101084	Square (1:1)	84"	60" x 60"	Ultra3 Matte White	Standard	64.2"(L), 2.48"(Diam)	12	14
101099	Square (1:1)	99"	70" x 70"	Ultra3 Matte White	Standard	74.8"(L), 2.48"(Diam)	15	17
101120	Square (1:1)	120"	84" x 84"	Ultra3 Matte White	Standard	87.8"(L), 2.48"(Diam)	19	21
101135	Square (1:1)	135"	96" x 96"	Ultra3 Matte White	Standard	100"(L), 2.48"(Diam)	24	26
103105	Video (4:3)	105"	64" x 84"	Ultra3 Matte White	Standard	87.8"(L), 2.48"(Diam)	16	18
103120	Video (4:3)	120"	72" x 96"	Ultra3 Matte White	Standard	100"(L), 2.48"(Diam)	21	23
103150	Video (4:3)	150"	87" x 116"	Ultra3 Matte White	Standard	124.8"(L), 3.46"(Diam)	38	42
109106	Wide (16:9)	108"	51" x 90"	Ultra3 Matte White	Standard	94" (L), 3.46" (Diam)	17	19
109108	Wide (16:9)	109"	54" x 96"	Ultra3 Matte White	Standard	100" (L), 3.46" (Diam)	18	20
110094	Wide (16:10)	94"	50" x 80"	Ultra3 Matte White	Standard	83.8"(L), 2.48"(Diam)	16	18
110113	Wide (16:10)	113"	60" x 96"	Ultra3 Matte White	Standard	100"(L), 2.48"(Diam)	21	23
110130	Wide (16:10)	130"	69" x 110"	Ultra3 Matte White	Standard	113.8"(L), 2.48"(Diam)	28	30

SKU	Top/Bottom/Side Masking	Housing Shape	Housing Material	Housing Color	Mounting Options
101070	1.58"/1.58"/1.58"	Hexagonal	22G Steel	Matte White	
101084	1.58"/1.58"/1.58"	Hexagonal	22G Steel	Matte White	
101099	1.58"/1.58"/1.58"	Hexagonal	22G Steel	Matte White	
101120	1.58"/1.58"/1.58"	Hexagonal	22G Steel	Matte White	Use brackets: 609991, 609992, 609993
101135	1.58"/1.58"/1.58"	Hexagonal	22G Steel	Matte White	
103105	1.58"/1.58"/1.58"	Hexagonal	22G Steel	Matte White	
103120	1.58"/1.58"/1.58"	Hexagonal	22G Steel	Matte White	
103150	1.58"/1.58"/1.58"	Square (rounded corners)	20G Steel	Matte White	Use brackets: 709991, 709992, 709993
109106	1.58"/1.58"/1.58"	Hexagonal	20G Steel	Matte White	
109108	1.58"/1.58"/1.58"	Hexagonal	20G Steel	Matte White	
110094	1.58"/1.58"/1.58"	Hexagonal	22G Steel	Matte White	Use brackets: 609991, 609992, 609993
110113	1.58"/1.58"/1.58"	Hexagonal	22G Steel	Matte White	
110130	1.58"/1.58"/1.58"	Hexagonal	22G Steel	Matte White	

### Recordex AXIS Wall Brackets for ReTract<sup>TM</sup> Manual Screens

Model	Description	Recordex SKU
AXIS160	Wall Bracket for ReTract <sup>TM</sup> Manual Screens ( 6" ) – for hex housing	609991
AXIS360	Wall Bracket for ReTract <sup>TM</sup> Manual Screens ( 14" ) – for hex housing	609992
AXIS600	Wall Bracket for ReTract <sup>TM</sup> Manual Screens ( 23" ) – for hex housing	609993
AXIS150	Deluxe Adjustable Wall Mount ( 6" ) – for square housing	709991
AXIS460	Deluxe Adjustable Wall Mount ( 18" ) – for square housing	709992
AXIS750	Deluxe Adjustable Wall Mount ( 30" ) – for square housing	709993



#### Recordex USA, Inc.

105 N Anderson Drive  
PO BOX 848  
Swainsboro GA 30401



Georgia Company Since 1969

# ReTract<sup>TM</sup> Plus

## Deluxe Manual Wall Screen Spring-roller Style Classroom Screen

### PRODUCT SPECIFICATION STATEMENT (screens with hexagonal housing)

Hexagon case of 22 gauge steel, flat back design, with painted scratch-resistant white finish. Shatter resistant, injection molded plastic end caps are matching white color with integrated wall/ceiling mounting brackets. Smooth, spring controlled locking allows for screen to be set to desired length. Ultra3 matte white viewing surface is standard offering 1.1 gain and 160 degree viewing angle, flame and mildew resistant. Surface attached to one-piece rigid steel roller. Bottom of viewing surface attached to roll formed steel dowel, finished white. Shatterproof plastic slat tips are used to cover the ends of the slat. Up to 200" screens feature a seamless viewing area while greater than 200" screens feature a center seam. Black borders are included on all four sides of the screen surface to provide added picture contrast. A manual pull down ring is riveted to provide convenient, secure pulldown. 37" pull cord to aid pull down is standard.

### PRODUCT SPECIFICATION STATEMENT (screens with square housing)

Square case of heavy duty 20 gauge steel, with painted scratch-resistant white finish. Shatter resistant, injection molded plastic end caps are matching white color with integrated wall/ceiling mounting brackets. Smooth, spring controlled locking allows for screen to be set to desired length. Ultra3 matte white viewing surface is standard offering 1.1 gain and 160 degree viewing angle, flame and mildew resistant. Surface attached to one-piece rigid steel roller. Bottom of viewing surface attached to roll formed steel dowel, finished white. Shatterproof plastic slat tips are used to cover the ends of the slat. Up to 200" screens feature a seamless viewing area while greater than 200" screens feature a center seam. Black borders are included on all four sides of the screen surface to provide added picture contrast. A manual pull down ring is riveted to provide convenient, secure pulldown. 37" pull cord to aid pull down is standard.



Georgia Company Since 1969

# ReTract<sup>TM</sup> Plus

## Deluxe Manual Wall Screen Spring-roller Style Classroom Screen

### Limited 3-Year Warranty on Spring-Roller Style Manual Wall Screen (SCREEN)

**Warranty Statement.** Recordex warrants to the original purchaser only that the SCREEN will be free from defects in material and workmanship under normal use for a period of three (3) years from the date of original purchase. This warranty shall not apply: (i) to any screen subjected to accident, misuse, neglect, alteration, acts of God, improper handling, improper transport, improper storage, improper use or application, improper installation, improper testing or unauthorized repair; or (ii) to cosmetic problems or defects that result from normal wear and tear under ordinary use, and do not affect the performance or use of the product. If the screen develops a covered defect within the warranty period, Recordex will, at its option, either repair or replace the screen at no charge.

**Warranty Period.** Three (3) years from the date of the original purchase.

**Warranty Claims.** The original purchaser may obtain warranty service by contacting Recordex Customer Service Center at 1-718-392-5380 or by contacting their authorized Recordex Dealer for assistance in filing a warranty claim. Upon verification of warranty claim Recordex will at its option repair or replace the defective screen at no cost to the customer.

THE ABOVE STATED WARRANTY IS EXCLUSIVE AND REPLACES ALL OTHER WARRANTIES EXPRESSED OR IMPLIED INCLUDING THOSE OF MERCHANTABILITY AND FITNESS FOR A PARTICULAR PURPOSE. RECORDEX WILL NOT BE HELD LIABLE FOR ANY OTHER DAMAGES OR LOSS INCLUDING INCIDENTAL OR CONSEQUENTIAL DAMAGES AND LOSS OF PROFITS OR REVENUES FROM WHATEVER CAUSE, INCLUDING BREACH OF WARRANTY OR NEGLIGENCE.

### Limited 5-Year Warranty on Spring-Roller Style Manual Wall Screen (SCREEN) FOR EDUCATIONAL BUYERS — SPECIAL CLASSROOM WARRANTY

**Warranty Statement.** Recordex warrants to the original purchaser only that the SCREEN will be free from defects in material and workmanship under normal use for a period of five (5) years from the date of original purchase. This warranty shall not apply: (i) to any screen subjected to accident, misuse, neglect, alteration, acts of God, improper handling, improper transport, improper storage, improper use or application, improper installation, improper testing or unauthorized repair; or (ii) to cosmetic problems or defects that result from normal wear and tear under ordinary use, and do not affect the performance or use of the product. If the screen develops a covered defect within the warranty period, Recordex will, at its option, either repair or replace the screen at no charge.

**Warranty Period.** Five (5) years from the date of the original purchase.

**Warranty Claims.** The original purchaser may obtain warranty service by contacting Recordex Customer Service Center at 1-718-392-5380 or by contacting their authorized Recordex Dealer for assistance in filing a warranty claim. Upon verification of warranty claim Recordex will at its option repair or replace the defective screen at no cost to the customer.

THE ABOVE STATED WARRANTY IS EXCLUSIVE AND REPLACES ALL OTHER WARRANTIES EXPRESSED OR IMPLIED INCLUDING THOSE OF MERCHANTABILITY AND FITNESS FOR A PARTICULAR PURPOSE. RECORDEX WILL NOT BE HELD LIABLE FOR ANY OTHER DAMAGES OR LOSS INCLUDING INCIDENTAL OR CONSEQUENTIAL DAMAGES AND LOSS OF PROFITS OR REVENUES FROM WHATEVER CAUSE, INCLUDING BREACH OF WARRANTY OR NEGLIGENCE.